

# Installation rod For high-temperature thermocouple Model IR80

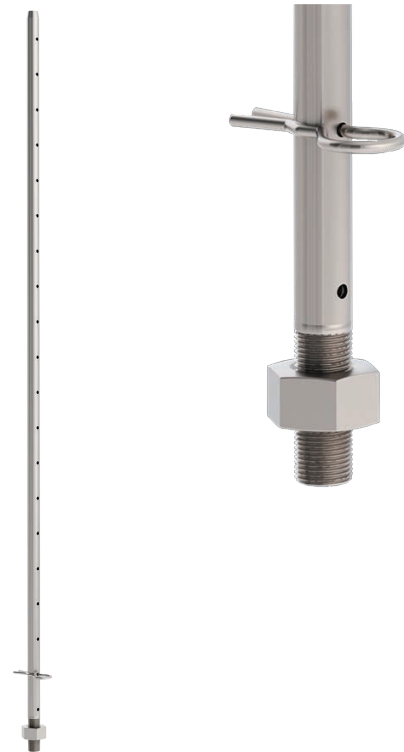
WIKA data sheet AC 80.22

## Applications

- Process industry: Oil and gas, petrochemical industry, chemical industry
- Sulphur recovery units (SRU)

## Special features

- Simple, quick and safe installation of high-temperature thermocouples
- Suited for horizontal and vertical installation
- Can be used with flanged thermocouples models TC80, TC82, TC83 Calitum® or TC84
- Combines high mechanical stability and low weight
- Applicable for all common flange and thermometer dimensions from ASME 2"



Installation rod, model IR80

## Description

The installation rods facilitate the fitting of high-temperature thermocouples in flange nozzles.

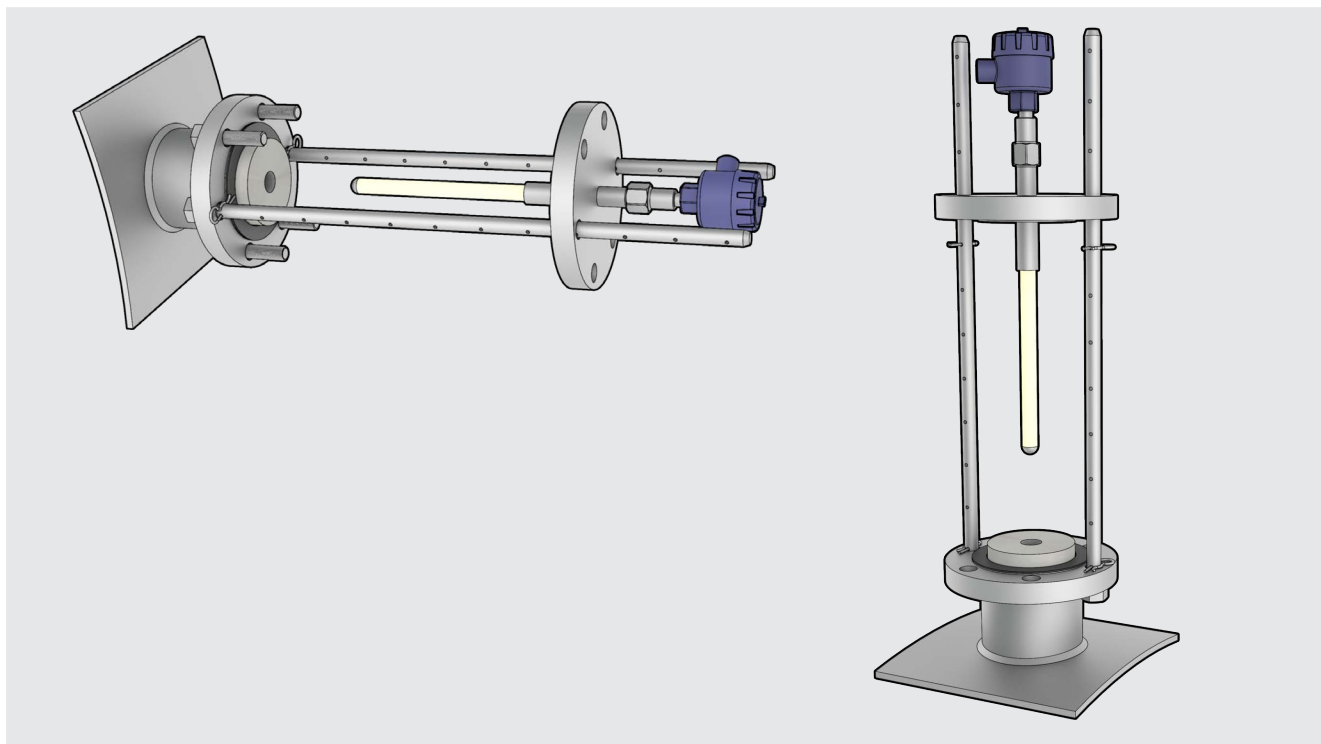
They reduce the risk of breaking the ceramic protection tube due to impermissible thermal or mechanical loading during fitting.

In addition, the installation rods facilitate compliance with the recommended insertion speeds in accordance with DIN 43724, especially for heavy thermometers in both vertical and horizontal mounting positions.

## Specifications

Installation rod, model IR80	
Material	Stainless steel 316/316L
Flange sizes	ASME 2 ... 6"
<b>Recommended insertion speeds of the high-temperature thermocouples per DIN 43724</b>	
Protection tube Ø 24 mm [0.94 in] and 26 mm [1.02 in]	1 cm/min [0.04 in/min]
Protection tube Ø 10 mm [0.39 in] and 15 mm [0.59 in]	50 cm/min [20 in/min]
Maximum working temperature	200 °C [392 °F]
Maximum loading	50 Nm per installation rod
Length	1,000 mm [40 in]
Order number	14297466 (1 pcs. installation rod)

## Application example



### Ordering information

To order the described product the order number is sufficient.

© 07/2021 WIKA Alexander Wiegand SE & Co. KG, all rights reserved.  
The specifications given in this document represent the state of engineering at the time of publishing.  
We reserve the right to make modifications to the specifications and materials.

