

Operating instructions  
Betriebsanleitung

Pressure sensor with wireless transmission, model PEW-1000

EN

Drucksensor mit Funkübertragung, Typ PEW-1000

DE



Pressure sensor with wireless transmission, model PEW-1000



# Contents

## Contents

EN

<b>1. General information</b>	<b>3</b>
<b>2. Safety</b>	<b>3</b>
<b>3. Design</b>	<b>9</b>
<b>4. Commissioning, operation</b>	<b>9</b>
<b>5. Faults</b>	<b>20</b>
<b>6. Maintenance, cleaning</b>	<b>22</b>
<b>7. Dismounting, return and disposal</b>	<b>24</b>
<b>8. Specifications</b>	<b>26</b>
<b>9. Annex: EU and UK declaration of conformity</b>	<b>31</b>

Declarations of conformity can be found online at [www.wika.com](http://www.wika.com).

# 1. General information / 2. Safety

EN

## 1. General information

- Prior to starting any work, read the operating instructions! Keep for later use!
- These operating instructions contain important information on handling the instrument. Working safely requires that all safety instructions and work instructions are observed.
- The general terms and conditions of WIKA Alexander Wiegand SE & Co. KG shall apply.
- In case of a different interpretation of the translated and the English operating instructions, the English wording shall prevail.
- Further information:
  - Internet address: [www.wika.de](http://www.wika.de) / [www.wika.com](http://www.wika.com)
  - Data sheet: PE 87.23
  - Additional documentation:
    - Special documentation for BLE communication specifications, model PEW-1000, 14536045
    - Special documentation for LPWAN communication protocol, model PEW-1000, 14536043
  - Technical information: IN 00.14 Tapped holes for process connections

## 2. Safety

### 2.1 Explanation of symbols and terms



#### **WARNING!**

... indicates a potentially dangerous situation that can result in serious injury or death, if not avoided.



#### **CAUTION!**

... indicates a potentially dangerous situation that can result in light injuries or damage to property or the environment, if not avoided.



#### **Information**

... points out useful tips, recommendations and information for efficient and trouble-free operation.

## 2. Safety

### 2.2 Intended use

The model PEW-1000 is a radio-based pressure sensor that is used for pressure measurement and transmission of measured pressure and temperature values in general industrial applications. The pressure sensor may only be used in such applications as are within its technical performance limits, in particular with regard to its material resistance limit, leakage rate limits and permissible temperature and pressure limits.

It is the sole responsibility of the manufacturer or operator of a machine or plant to ensure the suitability of the pressure sensor, and its media resistance, within the application through proper choice of materials and maintenance cycles.

→ For performance limits, see chapter „1. General information“

The mounting, dismounting, installation, parameterisation and maintenance of the pressure sensor in industrial environments absolutely requires suitably skilled personnel in accordance with chapter „2.1 Explanation of symbols and terms“.

The instrument has been developed for use with non-hazardous media, i.e. for media of fluid group 2 in accordance with directive 2014/68/EU article 13. The use with hazardous media (fluid group 1 in accordance with 2014/68/EU article 13) is not allowed.

The remote monitoring of the process pressure via wireless transmission is only suitable for non-critical and non-safety-relevant applications.

The instrument has been designed and built solely for the intended use described here, and may only be used accordingly.

The manufacturer shall not be liable for claims of any type based on operation contrary to the intended use.

### 2.3 Improper use

Any use beyond or different to the intended use is considered as improper use. Unauthorised modifications to the instrument are not permissible.

Use in the following application areas counts as improper use:

- Safety or emergency shutdown devices
- Hazardous areas
- Abrasive and viscous media or applications with hydrogen and oxygen
- Rail vehicles, medical devices, refrigeration technology and water pumps
- Places of use that are not protected from weather influences
- Processes with high condensation

Only use approved batteries, see chapter „4.2 Battery“.

## 2. Safety

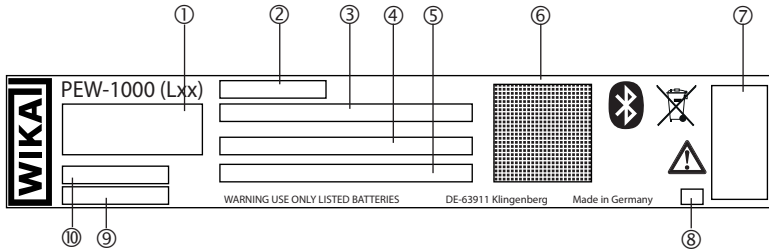
### 2.4 Personnel qualification

#### Skilled personnel

Skilled personnel, authorised by the operator, are understood to be personnel who, based on their technical training, knowledge of measurement and control technology and on their experience and knowledge of country-specific regulations, current standards and directives, are capable of carrying out the work described and independently recognising potential hazards.

### 2.5 Labelling, safety markings

#### Product label (example model PEW-1000 (Lxx))



- |  |  |
|--|--|
| ① Logo of the respective radio standard; with regional parameter WAN (not with Bluetooth®) | ⑥ QR code per LoRa Alliance® specification |
| ② Measuring range  | ⑦ Approvals                                |
| ③ DevEUI for LoRaWAN® and EUI for mioty®   | ⑧ Date of manufacture                      |
| ④ MAC address  | ⑨ Intelligent serial number                |
| ⑤ Battery information  | ⑩ Article number                           |

#### Overview of versions

Model PEW-1000 (Lxx) Version with LoRaWAN® and Bluetooth®

Model PEW-1000 (Mxx) Version with mioty® and Bluetooth®

Model PEW-1000 (Bxx) Version with Bluetooth®

→ The fields marked with xx are the respective regional abbreviations of the permissible radio standards in accordance with DIN EN ISO 3166-1 Alpha-2.

## 2. Safety

### Symbols



Before mounting and commissioning the instrument, ensure you read the operating instructions!



DC voltage



Do not dispose of with household waste. Ensure a proper disposal in accordance with national regulations.

EN

## 2. Safety

### 2.6 Contents of the QR code (example)



LW:D0:70B3D597B0000002:70B3D597B0004D71:02A30002:S1A01FZFCOJ6:PD1883F69EBE3:CC9B3

Contents	Identifier	LoRaWAN PEW-1000 example (L**) (pictured)	Mioty PEW-1000 example (M**)	Bluetooth PEW-1000 example (B**)	Comment
Preface	-	LW	MI	BT	Technology identifier
SchemalD	-	D0	D0	D0	-
JoinEUI (64 bit)	-	70B3D597B0000002	-	-	JoinEUI = AppEUI
DevEUI (64-bit)	-	70B3D597B0004D71	-	-	-
ProfileID	-	02A30002	-	-	02A3 = VendorID WIKA; 0002 last 4 digits of the JoinEUI
EUI	-	-	70B3D597B0000025	-	Mioty EUI
MAC	-	-	-	E526EA6D495E	BT MAC address: E5:26:EA:6D:49:5E
SerNum	S	1A01FZFCOJ6	1A01N14MPIG	S1A01N14MPIG	Alphanumeric WIKA serial number (11-digit)
Proprietary	P	PE526EA6D495E	PE526EA6D495E	-	BT MAC address (if it is not an all-Bluetooth® device): E5:26:EA:6D:49:5E
Checksum	C	C9B3	8F3E	C9657	-

## 2. Safety

### 2.7 Data transmission security

#### LoRaWAN®

LoRaWAN® security uses the cryptographic principle of AES cryptography in combination with several operating modes: CMAC2 for integrity protection and CTR3 for encryption. Each LoRaWAN® device is personalised with a unique 128-bit AES key (AppKey) and a globally unique identifier (EUI-64-based DevEUI), both used during the device authentication process.

→ Further details can be found in the official LoRaWAN® Security White Paper from the LoRa Alliance®, see <https://lora-alliance.org>.

#### mioty®

Each end point possesses its own cryptographic key, with which its communication is encrypted. The procedure used is the symmetric, block-wise Advanced Encryption Standard with 128-bit keys (AES128). To verify the integrity, a Cipher-based Message Authentication Code (CMAC) is used, which signs the content of the message using the secret key mentioned above.

#### Bluetooth® Low Energy

Bluetooth® Low Energy communicates in the licence-free 2.4 GHz ISM band and is a globally harmonised energy-efficient radio standard. Bluetooth® Low Energy uses 40 channels between 2.402 GHz and 2.480 GHz. Encryption is performed using the AES 128 encryption algorithm in combination with distributed key replacement. The instrument transmits the measured pressure and temperature value as an optional broadcast message on the advertising channels 37, 38 and 39, in addition to the instrument name and the battery charge status. Further information and detailed configuration and command options are available via a point-to-point connection.



Pairing is established using a passkey entry method and requires the entry of a security code. Instrument settings can only be accessed after pairing has been completed. The pairing key for each instrument is random. The initial pairing key can be found on the enclosed quick start guide.

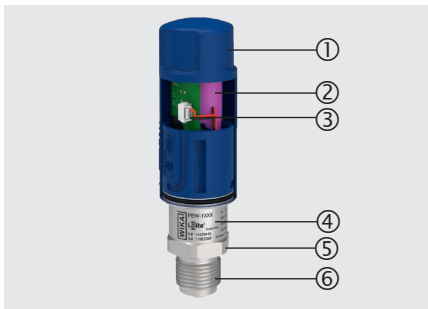


If the security code is entered incorrectly 5 times, the instrument is blocked for connection with this code. After disconnecting the voltage supply or removing the battery, 5 attempts are once again available. If this is not possible for technical reasons, e.g. because the sensor cannot be reached to open the case, contact technical support.



## 3. Design / 4. Commissioning, operation

### 3. Design



- ① Case top (removable)
- ② Battery with JST connector
- ③ Radio PCB with JST female connector
- ④ Case, product label
- ⑤ Process connection, spanner flats
- ⑥ Process connection, thread

EN

### 4. Commissioning, operation

#### 4.1 Mechanical mounting

Only use the pressure sensor if it is in perfect condition with respect to safety.

Prior to commissioning, the pressure sensor must be subjected to a visual inspection.

- Leaking liquid is indicative of damage.
- Obvious damage must be reported immediately.

For information on tapped holes and welding sockets, see technical information IN 00.14 at [www.wika.com](http://www.wika.com)

## 4. Commissioning, operation

### 4.2 Battery



#### **WARNING!**

##### **Danger for electronic components through electrostatic discharge (ESD)**

Improper handling of electrical components can destroy or damage them.

- ▶ When the sensor housing is open, e.g. when connecting or changing the battery pack, sufficient ESD protection must be ensured.
- ▶ Do not touch PCBs and electrical components.
- ▶ Before removing the plastic case, touch the grounded metal part of the case, or an alternative adjacent grounded metal object (e.g. radiator or pipes), in order to discharge any static from the body.
- ▶ Avoid contact between the electronics and clothing.



#### **CAUTION!**

##### **Physical injuries and damage to property and the environment**

Lithium thionyl chloride batteries are not rechargeable. Improper handling can lead to leakage or escape of vapourised electrolyte vapours and cause a fire or explosion.

- ▶ Do not open the battery.
- ▶ Do not damage the battery cells.
- ▶ The positive and negative connections must not be short-circuited with conductors.
- ▶ Do not reverse the polarity.
- ▶ Do not expose the battery to excessive mechanical loads.
- ▶ Do not expose the battery to water or condensation.
- ▶ Do not heat, solder or expose the battery to fire.
- ▶ Do not use any rechargeable batteries.
- ▶ Do not continue to use batteries that have been dropped on the ground.

In as-delivered condition, the battery is not connected to the electronics.

## 4. Commissioning, operation

For connecting the battery, also see chapter „6.3 Battery handling“:

1. Remove case (bayonet lock)

2. Plug in the battery connector and snap it into place.

⇒ LED lights up.

3. Put on the case top and close it. Grip the upper and lower sides of the instrument with your hands and turn them in opposite directions as shown by the marking on the cover.

For the first 25 minutes after connecting the battery, the LED function is activated.

LED colour	Mode	Meaning for LoRaWAN®	Meaning for mioty®
<b>Blue</b>	Blinks once	Internal communication between radio and sensor PCBs	
<b>Cyan</b>	ON for the duration of the join procedure	Join procedure running	-
<b>Cyan</b>	Blinks once	Join procedure successful	-
<b>Red</b>	Blinks twice	Join procedure not successful	-
<b>Red</b>	Blinks twice	Data transmission not successful (confirmed message)	Data transmission not successful
<b>Green</b>	Blinks twice	Data transmission successful (confirmed message)	Data transmission successful


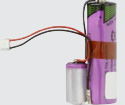
### Approved battery

To ensure proper operation and the best possible performance, use only the batteries listed below:

Version	Designation
<b>Battery pack</b>	Lithium thionyl chloride battery and hybrid layer capacitor (model Tadiran HLC1020L) as an assembly with connection cable assembled.
Model PEW-1000 (Lxx)	Model Tadiran SL860/S
Model PEW-1000 (Mxx)	Model Tadiran SL860/S
Model PEW-1000 (Bxx)	<ul style="list-style-type: none"> <li>■ Model Tadiran SL860/2</li> <li>■ Model Tadiran SL861/2</li> </ul> <p>→ The respective battery can only be used with the appropriate case type, see dimensions in chapter 8 "Specifications".</p>

## 4. Commissioning, operation

EN

Version	Designation	
<b>Battery pack</b>	Lithium thionyl chloride battery and hybrid layer capacitor (model Tadiran HLC1020L) as an assembly with connection cable assembled.	
	Model Tadiran SL861/S	Item number 14395532
	Model Tadiran SL860/S	Item number 14392747

### Battery status

The battery life is displayed as a percentage value via Bluetooth® in the advertising frame and transmitted in the form of the battery voltage (nominal value: 3.6 V) via LoRaWAN®. Since the battery life is influenced by many factors, such as the measurement and sending rate, the spreading factor, and the ambient and process temperatures, this value is only an approximation. The calculation of the approximate value is based on an assumption of a constant ambient temperature of 20 °C [68 °F].

At values below 20 % of the expected remaining service life or below a residual voltage of 2.7 V a battery change is recommended. If the battery is completely discharged, no more values are transmitted via the radio interface.

The battery voltage (nominal value: 3.6 V) can also be read out via the “myWIKa wireless device” app and the Bluetooth® interface.

## 4. Commissioning, operation

### 4.3 “myWIKa wireless device” app



Via the “myWIKa wireless device” app and a Bluetooth® Low Energy connection, the functionality of the LoRaWAN® communication can be activated and deactivated through the mobile device. Furthermore, the instrument data and the current measured value can be read via the app. For this, follow the instructions on the screen.

EN



For iOS-based end devices, the app is available in the Apple Store via the link below.

For Android-based end devices, the app is available in the Google Store via the link below.

[Download here](#)

[Download here](#)



### 4.4 Information on wireless transmission

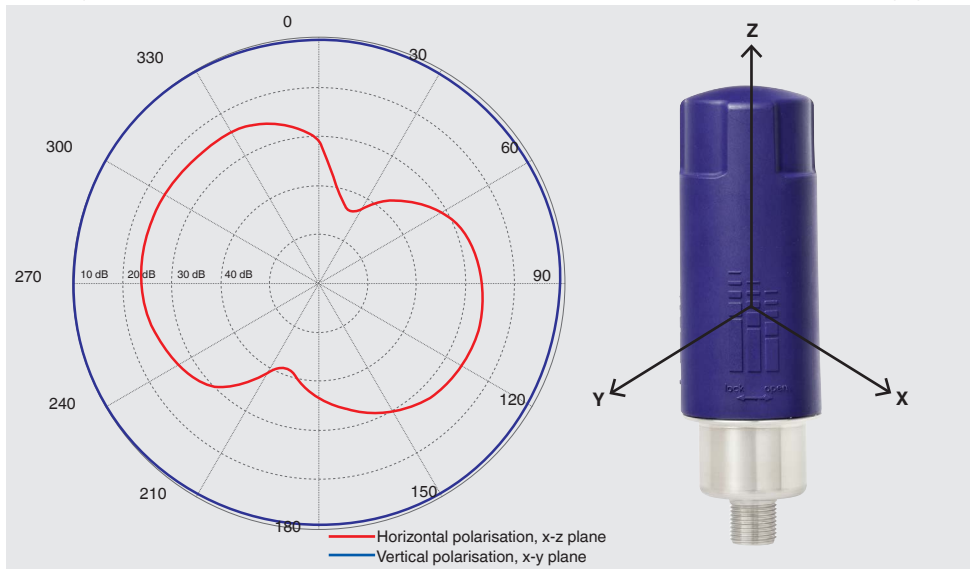
The transmission of the measured pressure values to an IIoT platform is carried out at a preset transmission interval. The measurement and transmission intervals, and also the alarm limits, for particular measured values can be configured over the IIoT platform.

Using a mobile device with a local interface via Bluetooth® Low Energy, the instrument status (current measured value, battery life, etc.) can be queried on-site and the instrument can also be configured.

## 4. Commissioning, operation

### Radiation characteristics

- In order to achieve the best possible transmission quality, the radio link from the end device to the receiving gateway should be as free from barriers as possible.
- The signal strength is slightly to severely affected by concrete walls, metal shields, enclosures and hilly landscapes.
- For the best possible transmission power of the antenna, no metal objects, such as pipelines, may be closer than 10 cm [3.93 in] to the antenna.
- During installation, observe the radiation characteristics of the instrument and the instructions in the following figure:



## 4. Commissioning, operation

### Installation of the receiving gateway

Position the gateway in such a way that the transmission power is optimally utilised. For this, the following recommendations should be observed:

- Depending on the application, a gateway for indoor or outdoor use should be selected.
- The radiation characteristics of the antenna should be taken into account when positioning the gateway.
- If the sensors are located on one level, vertical mounting of the LoRaWAN® antenna on the gateway is recommended. The location should ideally be in the middle of the area to be covered.
- If the sensors are located on several levels, the gateway should be placed in the middle of the building and the gateway antenna should be aligned horizontally.
- Another option is to place the gateway outside the building and align the antenna vertically. In this way, a sufficient radio connection can be established from the outside to several floors.
- In outdoor areas, ensure that the gateway is mounted at a sufficient height and not covered by anything in the immediate vicinity. The higher the gateway is positioned, the further the LoRaWAN® connection reaches.

### Connection within an LPWAN (not with Bluetooth®)

The instrument can be connected via LoRaWAN® or mioty® gateway to an IIoT infrastructure.

For this, the instrument is connected to a LoRaWAN® or mioty® gateway and the measured values are transferred to the IIoT infrastructure (e.g. platform, PC, mobile device, etc.) at freely configurable intervals.

For the IIoT connection, all relevant data for registration and commissioning, as well as an interface specification for further processing of the data are provided (see the additional documentation "Special documentation for LPWAN® communication specifications, model PEW-1000" on the WIKA website).

The deployment package includes the following registration information:

- DevEUI (64-bit end device, unique identifier)
- AppEUI (64-bit unique application identifier)
- AppKey (128-bit key)
- Interface specification (→ see the additional documentation "Special documentation for LPWAN® communication specifications, model PEW-1000" on the WIKA website)



With a customer-specific integration, the payload integration must be carried out by the customer in accordance with the additional documentation "Special documentation for LPWAN® communication specifications, model PEW-1000" on the WIKA website.

## 4. Commissioning, operation

### 4.5 Alarm description

Three basic alarm types can be configured: alarm limit, alarm limit with delay, pressure change.

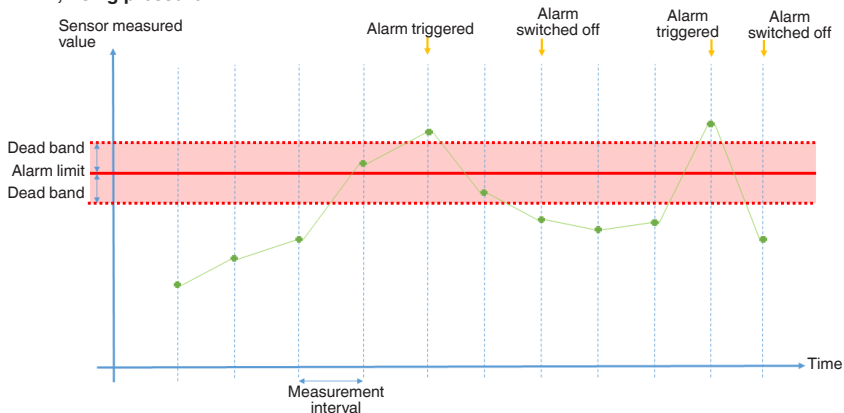
EN

These alarms can be set using the “myWIKA wireless device” app via Bluetooth® or via a LoRaWAN® connection via the WIKA cloud.

For a customer connection without a WIKA app or WIKA cloud, the “Special documentation for LPWAN® communication specifications, model PEW-1000” or “Special documentation for Bluetooth® communication specifications, model PEW-1000” must be observed.

A combination of alarm functions is possible, e.g. alarm limit for rising and falling pressure to define an operating window for the application.

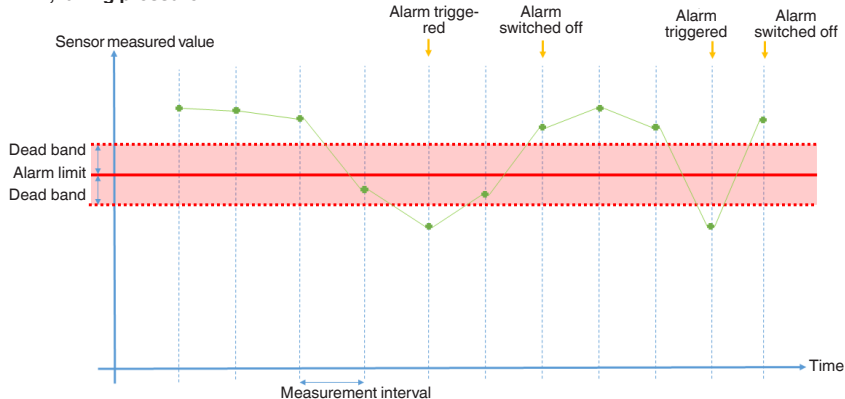
#### Alarm limit, rising pressure



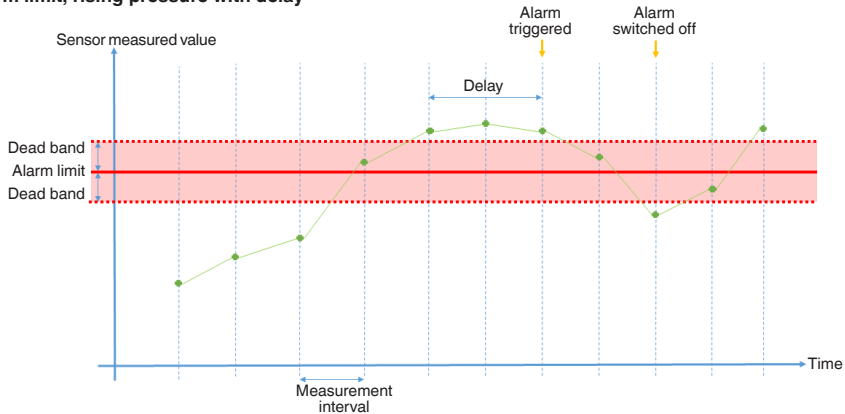


# 4. Commissioning, operation

## Alarm limit, falling pressure



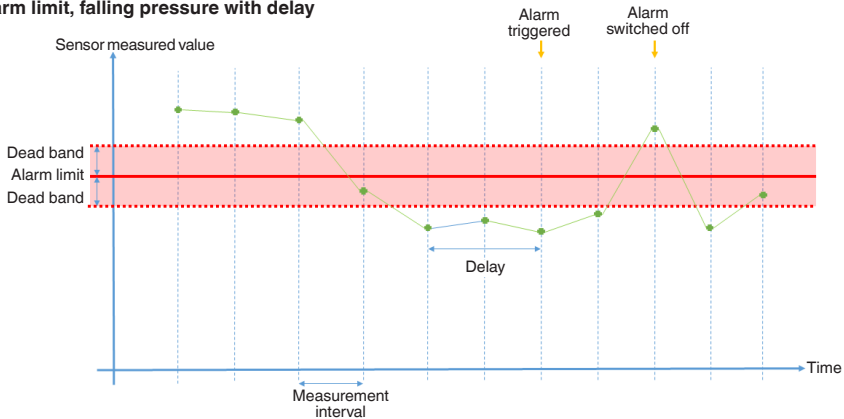
## Alarm limit, rising pressure with delay



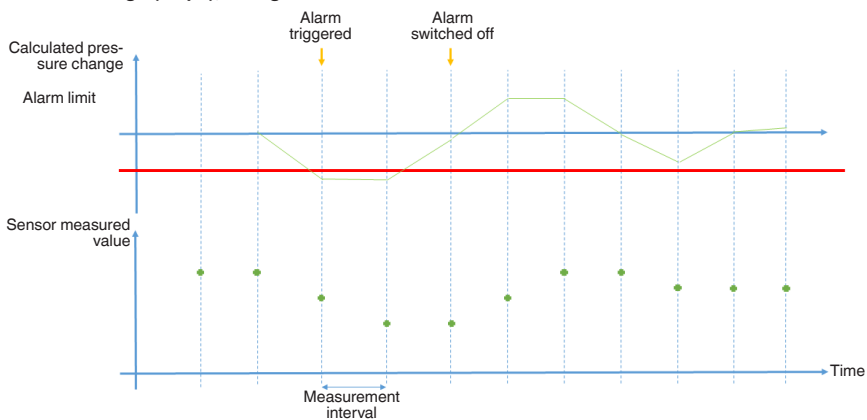
EN

## 4. Commissioning, operation

### Alarm limit, falling pressure with delay



### Pressure change (slope), falling



EN

## 5. Faults

### Pressure change (slope), rising

Calculates the pressure change in % / minute:

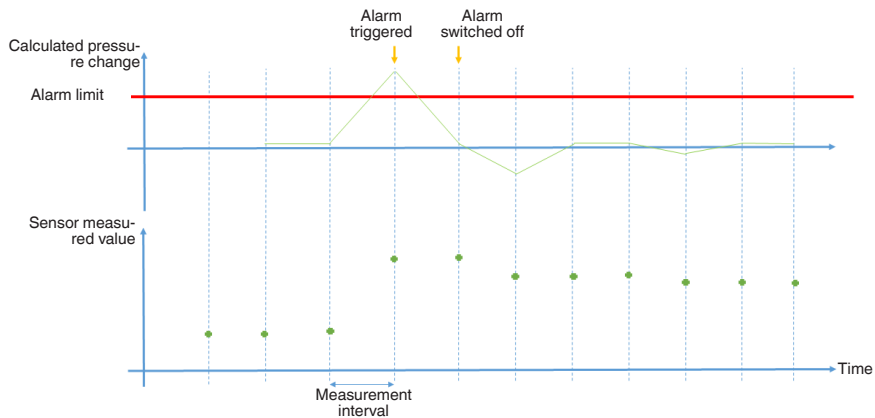
$$|(P1 - P0) / t|$$

**P0** = Initial pressure

**P1** = Pressure after measurement interval *t*

**t** = Set measurement interval in minutes

Example: Pressure rises from 3 to 5 bar at a measurement interval of 5 minutes:  $(5 - 3) / 5 = 0.4$  bar / minute



## 5. Faults

### 5. Faults



#### CAUTION!

#### Physical injuries and damage to property and the environment

If faults cannot be eliminated by means of the listed measures, the instrument must be taken out of operation immediately.

- ▶ Ensure that pressure or signal is no longer present and protect against accidental commissioning.
- ▶ Contact the manufacturer.
- ▶ If a return is needed, please follow the instructions given in chapter „7.2 Return“.



For contact details, see chapter „1. General information“ or the back page of the operating instructions.

In the event of any faults, first check whether the instrument is mounted correctly.

Fault	Causes	Measures
Connection to the IIoT platform is not successful	Login credentials lost	Contact customer service
	Incorrect login credentials	Check using the supplied login credentials
	Customer firewall blocks interfaces	Contact the person responsible for infrastructure
	Instrument is outside the range of the gateway	Observe instructions in accordance with the operating instructions.
	Faulty commissioning or improper, unsuitable installation location	Observe instructions in accordance with the operating instructions.
QR code is not readable	Unfavourable light and distance conditions	Optimisation by the operator

## 6. Maintenance, cleaning

EN

Fault	Causes	Measures
<b>No measured value transmission after previously unrestricted function</b>	Battery empty	For changing the battery, see chapter „4.2 Battery“
	Incorrect battery replacement	Checking the battery change or battery charge status
	Instrument outside the range of the gateway	Observe instructions in accordance with the operating instructions, see chapter „4. Commissioning, operation“.
	Damage due to improper use	Observe the intended use, see chapter „2.2 Intended use“
	Changes in the infrastructure	Contact the person responsible for the infrastructure
<b>No connection to gateway</b>	Gateway is switched off	Switch the gateway on and ensure that a connection to the network server exists
<b>Individual measured value not transmitted</b>	Collision in the data transmission	Unavoidable! Adaptation of infrastructure possible
<b>Bluetooth® transmission does not work</b>	Battery not yet connected	For removing the case and connecting the battery, see chapter „4.2 Battery“
	Battery empty	Remove the case and change the battery
	Instrument out of range	Reduce the distance to the instrument
	Bluetooth® of the mobile device is not activated	Activate the Bluetooth® function of the mobile device
<b>Constant output signal upon change in pressure</b>	Mechanical overload caused by overpressure	Replace instrument; if it fails repeatedly, contact the manufacturer
<b>Deviating zero point signal</b>	Overpressure limit exceeded	Maintain permissible overpressure limit
<b>Signal span too small</b>	Mechanical overload caused by overpressure	Replace instrument; if it fails repeatedly, contact the manufacturer
<b>Faulty signal</b>	Moisture ingress	Mount the case cover correctly
	Vent opening covered	Keep the vent opening clear

## 6. Maintenance, cleaning

### 6. Maintenance, cleaning

#### 6.1 Maintenance

This instrument is maintenance-free.

Repairs must only be carried out by the manufacturer.

This does not apply to the battery replacement.

#### 6.2 Cleaning

Only use commercially available and solvent-free cleaning agents.

#### 6.3 Battery handling

**For battery replacement observe the following instructions:**

- Only change the batteries in a dry environment
- Do not use rechargeable batteries
- Only use approved batteries, see chapter „4.2 Battery“.
- Do not use power tools for screwing in.



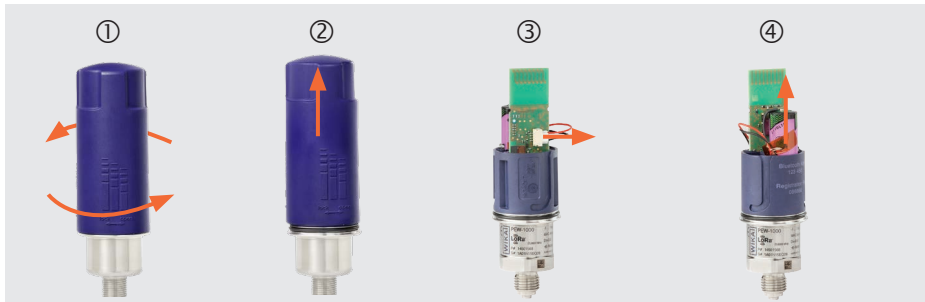
During longer times of inactivity, remove the batteries from the instrument.

After changing the battery, the command “Battery changed” must be sent in the app “myWIKa wireless device” under Actions or alternatively via the cloud.

Attention: After executing the “Battery changed” command, do not disconnect the battery from the sensor for at least 24 hours.

## 6. Maintenance, cleaning

### Removing the battery:

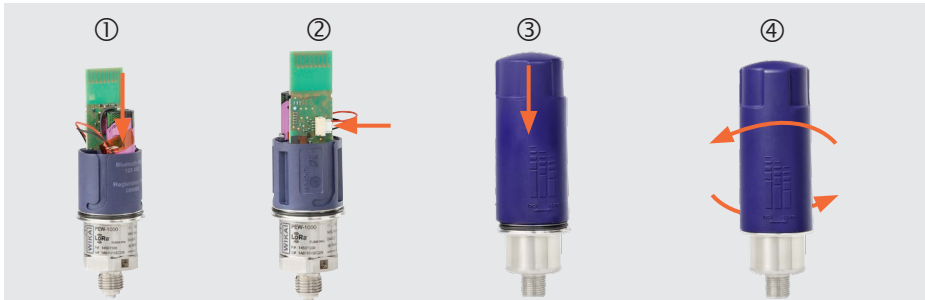


EN

### Procedure

1. Grip the upper and lower sides of the instrument with your hands and turn them in opposite directions (bayonet lock).
2. Remove the case top upwards.
3. Pull the battery connector off.
4. Remove the battery.

### Inserting the battery:



## 6. Maintenance, cleaning ... / 7. Dismounting, return and ...

### Procedure

1. Place the new battery in the holder.
2. Connect the connector to the PCB.
3. Replace the case top to close the sensor. Grip the upper and lower sides of the instrument with your hands and turn them in opposite directions to tighten.

→ On closing the case top, ensure that the battery connection cables do not become pinched.



Make absolutely sure that there is no gap between the case top of the sensor and the thread. The sensor is only considered closed when the gap is completely closed. Be careful not to accidentally loosen the instrument when changing the battery. Tighten without tilting the case top!

## 7. Dismounting, return and disposal

### 7.1 Dismounting



#### **WARNING!**

#### **Hazardous media**

- ▶ Should a failure occur, aggressive media with extremely high temperature and under high pressure or vacuum may be present at the instrument.
- ▶ Depressurise and de-energise the instrument before dismantling it.

### 7.2 Return



#### **WARNING!**

#### **Physical injuries and damage to property and the environment through residual media**

Residual media in the dismantled instrument can result in a risk to persons, the environment and equipment.

- ▶ With hazardous substances, include the material safety data sheet for the corresponding medium.

#### **Strictly observe the following when shipping the instrument:**

All instruments delivered to WIKA must be free from any kind of hazardous substances (acids, bases, solutions, etc.) and must therefore be cleaned before being returned.

Remove the batteries before returning.



## 7. Dismounting, return and disposal

The lithium-ion rechargeable batteries or lithium-metal batteries included are subject to the requirements of the dangerous goods law. Special requirements for packaging and marking must be observed when shipping. A dangerous goods expert must be consulted when preparing the package. Do not send any damaged or defective rechargeable batteries. Mask open contacts and pack the rechargeable battery so that it does not move in the packaging and also prevents short-circuits. Observe the different dangerous goods requirements relative to the respective modes of transport and any other national regulations.

When returning the instrument, use the original packaging or a suitable transport packaging.



Information on returns can be found under the heading “Service” on our local website.

### 7.3 Disposal

Incorrect disposal can put the environment at risk.

Dispose of instrument components and packaging materials in an environmentally compatible way and in accordance with the country-specific waste disposal regulations.

Completely discharge the batteries before disposal and isolate contacts to prevent short-circuits.



Do not dispose of with household waste. Ensure a proper disposal in accordance with national regulations.

### Entsorgung des Elektrogeräts / mit herausnehmbaren Batterien/Akkus



This instrument is labelled in accordance with the EU Waste Electrical and Electronic Equipment (WEEE) directive. This instrument must not be disposed of with household waste.

- ▶ Hand in old instruments for environmentally friendly disposal at a designated collection point for the disposal of electrical and electronic devices.
- ▶ Ensure a proper disposal in accordance with national regulations and observe the currently applicable regulations.
- ▶ Remove non-permanently installed batteries and rechargeable batteries from the instrument and dispose of them separately.

## 8. Specifications

### 8. Specifications

Depending on the selected instrument version (e.g. seals) the specification may deviate from the specifications listed here. The specifications in the order documentation are definitive.

For further specifications, see WIKA data sheet PE 87.23.

#### Specifications

<b>Measuring range</b>	→ see product label
<b>Maximum working pressure</b>	→ Corresponds to the upper measuring range value/measuring range full scale value
<b>Overpressure limit per IEC 62828-1</b>	The overpressure limit is based on the measuring range. Depending on the selected process connection and seal, restrictions in overload safety can result
Measuring ranges < 10 bar	3 times
Measuring ranges ≥ 10 ... ≤ 600 bar	2 times
Measuring ranges > 600 bar	1.43 times
<b>Max. measured error per IEC 62828-1</b>	≤ ±0.5 % of span
<b>Total probable error per IEC 62828-2</b>	→ See diagram „Total probable error per IEC 62828-2“
<b>Vacuum resistance</b>	Yes
<b>Material (wetted)</b>	Stainless steel 316L
<b>Medium temperature limit</b>	-20 ... +80 °C [-4 ... +176 °F]
<b>Ambient temperature limit</b>	-20 ... +80 °C [-4 ... +176 °F]
<b>Storage temperature limit</b>	-40 ... +70 °C [-40 ... +158 °F]
<b>Relative humidity</b>	0 ... 95 % r. h.
<b>Max. permissible altitude</b>	≤ 2,000 m [6,561.67 ft]
<b>Permissible pollution degree per EN 61010-1</b>	2

## 8. Specifications

### Specifications

#### Battery life

PEW-1000 (Lxx), PEW-1000 (Mxx)	Model Tadiran SL860/S	> 10 years (measurement and transmission interval 1 hour, spreading factor 10)
PEW-1000 (Bxx)	Model Tadiran SL861/S	5 years (measurement interval 60 seconds)
	Model Tadiran SL860/S	7 years (measurement interval 60 seconds)
→ At reference conditions		

EN

### Radio standard

#### LoRaWAN®

Specification	LoRaWAN® 868 MHz EU
Version	1.0.3
Functions	<ul style="list-style-type: none"><li>■ Registration</li><li>■ Configuration</li><li>■ Sending measured values</li><li>■ Alarm management</li><li>■ Battery status</li></ul>
Frequency range	863 ... 870 MHz
Range in free field	Typically 10 km [6 mi] → Depending on the ambient conditions, such as topography and building structures.
Channel spacing	200 kHz
Bandwidth	125 kHz
Max. transmission power	14 dBm

14471927.04.01/2024 EN/DE

## 8. Specifications

### Radio standard

#### mioty®

Specification	Regional Profile EU1
Functions	<ul style="list-style-type: none"><li>■ Registration</li><li>■ Sending measured values</li><li>■ Alarm management</li><li>■ Battery status</li></ul>
Frequency range	863 ... 870 MHz
Range in free field	Typically 10 km [6 mi] → Depending on the ambient conditions, such as topography and building structures.
Bandwidth	60 kHz
Max. transmission power	14 dBm

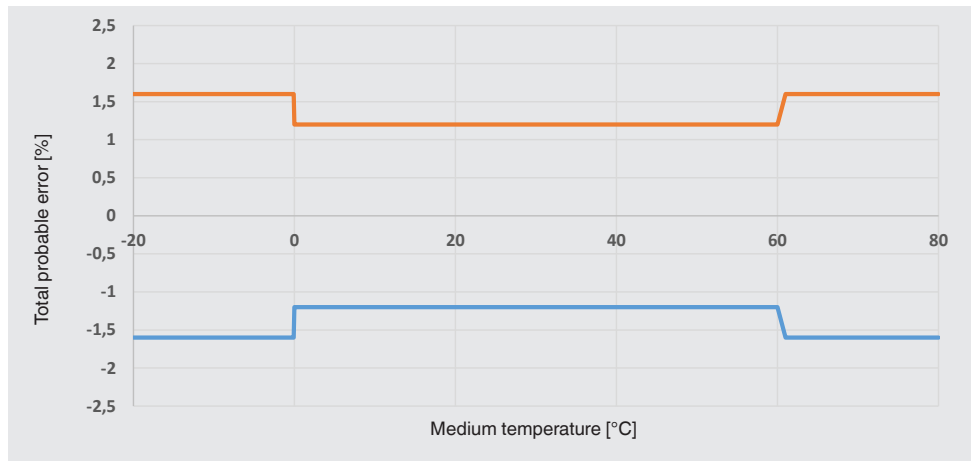
#### Bluetooth®

Version	Bluetooth® 5.0 or newer → Compatible with all Bluetooth® Low Energy versions 4.2 or newer
Functions	<ul style="list-style-type: none"><li>■ Registration</li><li>■ Configuration</li><li>■ Sending measured values</li><li>■ Alarm management</li><li>■ Battery status</li></ul>
Frequency range	2,402 ... 2,480 MHz
Range in free field	Typically 20 m [65 ft] → Depending on the ambient conditions, such as topography and building structures.
Max. transmission power	4 dBm

→ For further information on the radio protocols, see [www.wika.com](http://www.wika.com).

## 8. Specifications

Total probable error per IEC 62828-2



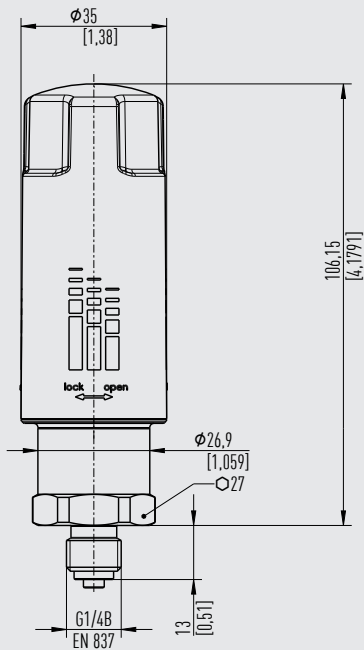
EN

→ Higher accuracy in the range below 0 °C [32 °F] and over 60 °C [140 °F] possible upon request

## 8. Specifications

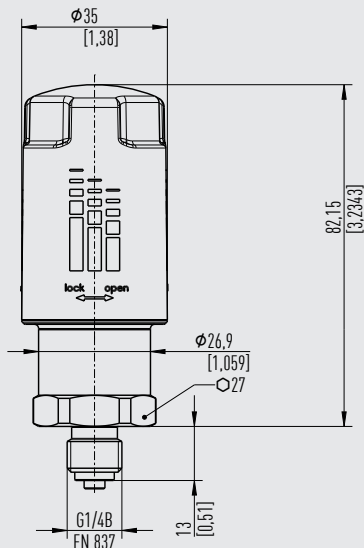
### Dimensions in mm [in]

With battery pack model Tadiran SL860/S



Weight: approx. 125 g [2.28 lb]

With battery pack model Tadiran SL861/S



Weight: approx. 112 g [2.25 lb]

EN



## EU-Konformitätserklärung EU Declaration of Conformity

Dokument Nr. 14520509 Revision 03  
Document No. Revision Issue

Wir erklären in alleiniger Verantwortung, dass die mit CE gekennzeichneten Produkte  
We declare under our sole responsibility that the CE marked products

**Typenbezeichnung** PEW-1000 (L\*\*) and PEW-1000 (B\*\*)  
**Type Designation**

**Beschreibung** Drucksensor mit Funkübertragung  
**Description** Wireless Pressure Transmitter

gemäß gültigem Datenblatt PE 87.23  
according to the valid data sheet

mit den nachfolgenden relevanten Harmonisierungsvorschriften der Angewandte harmonisierte Normen  
Union übereinstimmen are in conformity with the following relevant Union harmonisation  
legislation Applied harmonised standards

2011/65/EU Gefährliche Stoffe (RoHS) EN IEC 63000:2018  
Hazardous substances (RoHS)

2014/53/EU Funkanlagen  
Radio Equipment

Gesundheit und Sicherheit (Artikel 3 (1) a)  
Protection of health and safety (Article 3 (1) (a))  
EN 61010-1:2010 + A1:2019 +  
A1:2019/AC:2019  
EN 62479:2010

Elektromagnetische Verträglichkeit (Artikel 3 (1) (b))  
Electromagnetic compatibility (Article 3 (1) (b))  
EN 301 489-1 V2.2.3  
EN 301 489-3 V2.3.0  
EN 301 489-17 V3.2.5

EN 61326-1:2013  
stimmt auch überein mit/also complies with  
EN IEC 61326-1:2021

Effektive Nutzung Frequenzspektrum (Artikel 3 (2))  
Effective use of spectrum (Article 3 (2))  
EN 300 220-1 V3.1.1  
EN 300 220-2 V3.2.1  
EN 300 338 V2.2.2

Unterszeichnet für und im Namen von / Signed for and on behalf of  
**WIKAI Alexander Wiegand SE & Co. KG**  
Klingenberg, 2024-01-25

Fokko Sluiter, Director of Operations Transmitters  
Industrial Instrumentation

Steffen Schlesiona, Director Quality Management  
Industrial Instrumentation

WIKAI Alexander Wiegand SE & Co. KG  
Alexander Wiegand Straße 39  
63111 Klingenberg  
Germany  
WIKAI-HQ DE 02710372  
Rev. 04/2022

Tel. +49 9372 122 0  
Fax. +49 9372 122 406  
E-Mail info@wika.de  
www.wika.de

Kommanditgesellschaft, Sitz Klingenberg -  
Angelegenheiten-Nachhabenburg 1614, 1619

Komplementär  
WIKAI Instrumentation SE - Sitz Klingenberg -  
Angelegenheiten-Nachhabenburg 1614 1619  
Vorsitzender Alexander Wiegand

Vorsitzender des Aufsichtsrates: Prof. Dr. Roderich C. Thumel  
23/04/2020

## Inhalt

<b>1. Allgemeines</b>	<b>33</b>
<b>2. Sicherheit</b>	<b>33</b>
<b>3. Aufbau</b>	<b>39</b>
<b>4. Inbetriebnahme, Betrieb</b>	<b>39</b>
<b>5. Störungen</b>	<b>50</b>
<b>6. Wartung, Reinigung</b>	<b>52</b>
<b>7. Demontage, Rücksendung und Entsorgung</b>	<b>54</b>
<b>8. Technische Daten</b>	<b>56</b>
<b>9. Anlage: EU- und UK-Konformitätserklärung</b>	<b>61</b>

Konformitätserklärungen finden Sie online unter [www.wika.de](http://www.wika.de).



# 1. Allgemeines / 2. Sicherheit

## 1. Allgemeines

- Vor Beginn aller Arbeiten Betriebsanleitung lesen! Zum späteren Gebrauch aufbewahren!
- Diese Betriebsanleitung gibt wichtige Hinweise zum Umgang mit dem Gerät. Voraussetzung für sicheres Arbeiten ist die Einhaltung aller angegebenen Sicherheitshinweise und Handlungsanweisungen.
- Es gelten die allgemeinen Geschäftsbedingungen der WIKA Alexander Wiegand SE & Co. KG.
- Bei unterschiedlicher Auslegung der übersetzten und der englischen Betriebsanleitung ist der englische Wortlaut maßgebend.

- Weitere Informationen:

- Internet-Adresse:

[www.wika.de](http://www.wika.de) / [www.wika.com](http://www.wika.com)

- Datenblatt:

PE 87.23

- Zusatzdokumentation:

- Special documentation for BLE communication specifications, model PEW-1000, 14536045
- Special documentation for LPWAN communication protocol, model PEW-1000, 14536043

- Technische Information:

IN 00.14 Einschraublöcher für Prozessanschlüsse

## 2. Sicherheit

### 2.1 Symbol- und Begriffserklärung



#### **WARNUNG!**

... weist auf eine möglicherweise gefährliche Situation hin, die zum Tod oder zu schweren Verletzungen führen kann, wenn sie nicht gemieden wird.



#### **VORSICHT!**

... weist auf eine möglicherweise gefährliche Situation hin, die zu geringfügigen oder leichten Verletzungen bzw. Sach- und Umweltschäden führen kann, wenn sie nicht gemieden wird.



#### **Information**

... hebt nützliche Tipps und Empfehlungen sowie Informationen für einen effizienten und störungsfreien Betrieb hervor.

DE

## 2. Sicherheit

### 2.2 Bestimmungsgemäße Verwendung

Der Typ PEW-1000 ist ein funkbasierter Drucksensor, der zur Druckmessung und Übertragung von Druck- und Temperaturmesswerten in allgemeinen industriellen Anwendungen verwendet wird. Der Drucksensor darf nur in solchen Anwendungen verwendet werden, die innerhalb seiner technischen Leistungsgrenzen, insbesondere hinsichtlich dessen Materialbeständigkeitsgrenze, Grenzleckagerate sowie zulässigen Temperatur- und Druckgrenzwerten liegen. Es obliegt allein der Verantwortung des Herstellers bzw. Betreibers einer Maschine oder Anlage, die Eignung des Drucksensors und dessen Messstoffbeständigkeit in der Anwendung durch korrekte Materialwahl und Wartungszyklen sicherzustellen.

→ Leistungsgrenzen siehe Kapitel 8 „Technische Daten“

Die Montage, Demontage, Installation, Parametrierung und Wartung des Drucksensors in industrieller Umgebung erfordert unbedingt geeignetes Fachpersonal nach Kapitel 2.4 „Personalqualifikation“.

Das Gerät wurde entwickelt für den Einsatz mit ungefährlichen Messstoffen, d. h. für Messstoffe der Fluidgruppe 2 nach Richtlinie 2014/68/EU Artikel 13. Die Verwendung mit gefährlichen Messstoffen (Fluidgruppe 1 nach 2014/68/EU Artikel 13) ist nicht erlaubt.

Die Fernüberwachung des Prozessdrucks mittels Funkübertragung ist nur für nichtkritische und nicht sicherheitsrelevante Anwendungen geeignet.

Das Gerät ist ausschließlich für den hier beschriebenen bestimmungsgemäßen Verwendungszweck konzipiert und konstruiert und darf nur dementsprechend verwendet werden.

Ansprüche jeglicher Art aufgrund von nicht bestimmungsgemäßer Verwendung sind ausgeschlossen.

### 2.3 Fehlgebrauch

Jede über die bestimmungsgemäße Verwendung hinausgehende oder andersartige Benutzung gilt als Fehlgebrauch. Eigenmächtige Umbauten am Gerät sind nicht zulässig.

Der Einsatz in folgenden Anwendungsbereichen gilt als Fehlgebrauch:

- Sicherheits- oder Not-Aus-Einrichtungen
- Explosionsgefährdete Bereiche
- Abrasive und viskose Messstoffe sowie Anwendungen mit Wasserstoff und Sauerstoff
- Schienenfahrzeuge, medizinische Geräte, Kältetechnik und Wasserpumpen
- Nicht vor Wittereinflüssen geschützte Einsatzorte
- Prozesse mit starker Betauung

Nur freigegebene Batterien verwenden, siehe Kapitel „4.2 Batterie“.

## 2. Sicherheit

### 2.4 Personalqualifikation

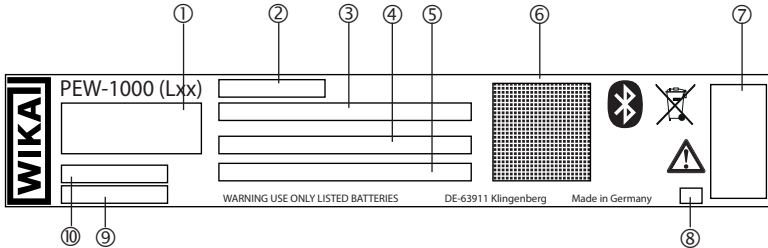
#### Fachpersonal

Das vom Betreiber autorisierte Fachpersonal ist aufgrund seiner fachlichen Ausbildung, seiner Kenntnisse der Mess- und Regelungstechnik und seiner Erfahrungen sowie Kenntnis der landesspezifischen Vorschriften, geltenden Normen und Richtlinien in der Lage, die beschriebenen Arbeiten auszuführen und mögliche Gefahren selbstständig zu erkennen.

DE

### 2.5 Beschilderung, Sicherheitskennzeichnungen

#### Typenschild (Beispiel Typ PEW-1000 (Lxx))



- |  |  |
|--|--|
| ① Logo des jeweiligen Funkstandards; mit „Regional Parameter WAN“ (nicht bei Bluetooth®) | ⑥ QR-Code gemäß LoRa Alliance® Spezifikation |
| ② Messbereich  | ⑦ Zulassungen                                |
| ③ DevEUI bei LoRaWAN® und EUI bei mioty®   | ⑧ Herstelldatum                              |
| ④ MAC-Adresse  | ⑨ Intelligente Seriennummer                  |
| ⑤ Batterieinformation  | ⑩ Artikelnummer                              |

#### Ausführungsübersicht

Typ PEW-1000 (Lxx) Ausführung mit LoRaWAN® und Bluetooth®

Typ PEW-1000 (Mxx) Ausführung mit mioty® und Bluetooth®

Typ PEW-1000 (Bxx) Ausführung mit Bluetooth®

→ Die mit xx gekennzeichneten Felder sind die jeweiligen Regionskürzel der zulässigen Funkstandards nach DIN EN ISO 3166-1 Alpha-2.

## 2. Sicherheit

### Symbole



Vor Montage und Inbetriebnahme des Geräts unbedingt die Betriebsanleitung lesen!

DE



Gleichspannung



Nicht mit dem Hausmüll entsorgen. Für eine geordnete Entsorgung nach nationalen Vorgaben sorgen.

## 2. Sicherheit

### 2.6 Inhalt des QR-Codes (Beispiel)



LW:D0:70B3D597B0000002:70B3D597B0004D71:02A30002:S1A01FZFCOJ6:PD1883F69EBE3:CC9B3

DE

Inhalt	Identifizier	Beispiel LoRa-WAN® PEW-1000 (Lxx) (abgebildet)	Beispiel mioty® PEW-1000 (Mxx)	Beispiel Bluetooth® PEW-1000 (Bxx)	Kommentar
Preface	-	LW	MI	BT	Identifizier der Technologie
SchemalD	-	D0	D0	D0	-
JoinEUI (64 bit)	-	70B3D597B0000002	-	-	JoinEUI = AppEUI
DevEUI (64 bit)	-	70B3D597B0004D71	-	-	-
ProfileID	-	02A30002	-	-	02A3 = VendorID WIKA; 0002 letzten 4 Stellen der JoinEUI
EUI	-	-	70B3D597B0000025	-	mioty® EUI
MAC	-	-	-	E526EA6D495E	BT MAC Adresse: E5:26:EA:6D:49:5E
SerNum	S	1A01FZFCOJ6	1A01N14MPIG	S1A01N14MPIG	Alphanumerische WIKA Seriennummer (11-stellig)
Proprietary	P	PE526EA6D495E	PE526EA6D495E	-	BT Mac Adresse (wenn es sich nicht um ein reines Bluetooth® Gerät handelt): E5:26:EA:6D:49:5E
Checksum	C	C9B3	8F3E	C9657	-

## 2. Sicherheit

### 2.7 Datenübertragungssicherheit

#### LoRaWAN®

Die LoRaWAN®-Sicherheit verwendet das kryptografische Prinzip der AES-Kryptografie in Kombination mit mehreren Betriebsarten: CMAC2 für den Integritätsschutz und CTR3 für die Verschlüsselung. Jedes LoRaWAN® Gerät wird mit einem einzigartigen 128-Bit-AES-Schlüssel (AppKey) und einem weltweit einzigartigen Identifikator (EUI-64-basiertes DevEUI) personalisiert, die beide während des Geräteauthentifizierungsprozesses verwendet werden.

→ Weitere Details können im offiziellen LoRaWAN® Security White Paper von der LoRa Alliance® nachgelesen werden, siehe <https://loro-alliance.org>.

#### mioty®

Jeder Endpunkt verfügt über einen eigenen kryptographischen Schlüssel, mit dem seine Kommunikation verschlüsselt wird. Das verwendete Verfahren ist der symmetrische, blockweise Advanced Encryption Standard mit 128-Bit-Schlüsseln (AES128). Zur Überprüfung der Integrität wird ein Cipher-based Message Authentication Code (CMAC) verwendet, der den Inhalt der Nachricht mit dem oben genannten geheimen Schlüssel signiert.

#### Bluetooth® Low Energy

Bluetooth® Low Energy kommuniziert im lizenzfreien 2,4 GHz ISM-Band und ist ein global einheitlicher energieeffizienter Funkstandard. Bluetooth® Low Energy verwendet 40 Kanäle zwischen 2,402 GHz und 2,480 GHz. Die Verschlüsselung erfolgt mithilfe des AES 128 Encryption-Algorithmus in Kombination mit einer verteilten Schlüsselumschlingung.

Das Gerät überträgt als Broadcast Message auf den Advertising-Kanälen 37, 38 und 39 neben dem Gerätenamen und dem Batterieladezustand optional den Druck- und Temperaturmesswert. Über eine Punkt-zu-Punkt-Verbindung stehen weitere Informationen und ausführliche Konfigurations- und Befehlsmöglichkeiten zur Verfügung.



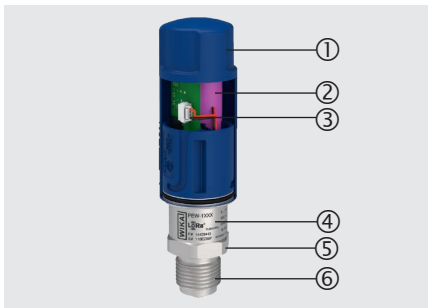
Das Pairing wird über eine Passkey-Entry-Methode hergestellt und verlangt die Eingabe eines Sicherheitscodes. Erst nach erfolgreichem Pairing kann auf Geräte-Einstellungen zugegriffen werden. Der Pairing Key ist für jedes Gerät zufällig. Der initiale Pairing Key ist auf dem beiliegenden Quick-Start-Guide zu finden.



Wird der Sicherheitscode 5-mal falsch eingegeben, ist das Gerät für die Verbindung mit diesem Code gesperrt. Nach einem Trennen der Spannungsversorgung bzw. dem Entnehmen der Batterie sind wieder 5 Versuche verfügbar. Sollte das aus technischen Gründen nicht möglich sein, da z. B. der Sensor zum Öffnen des Gehäuses nicht erreichbar ist, den Technischen Support kontaktieren.

## 3. Aufbau / 4. Inbetriebnahme, Betrieb

### 3. Aufbau



- ① Gehäuseoberteil (abnehmbar)
- ② Batterie mit JST-Stecker
- ③ Funkplatine mit JST-Buchse
- ④ Gehäuse, Typenschild
- ⑤ Prozessanschluss, Schlüssel­fläche
- ⑥ Prozessanschluss, Gewinde

DE

### 4. Inbetriebnahme, Betrieb

#### 4.1 Mechanische Montage

Den Drucksensor nur in sicherheitstechnisch einwandfreiem Zustand einsetzen.

Vor der Inbetriebnahme den Drucksensor optisch prüfen.

- Auslaufende Flüssigkeit weist auf eine Beschädigung hin.
- Offensichtliche Schäden unverzüglich mitteilen.

Angaben zu Einschraub­löchern und Einschweiß­stutzen siehe technische Information IN 00.14 unter [www.wika.de](http://www.wika.de)

## 4. Inbetriebnahme, Betrieb

### 4.2 Batterie



#### **WARNUNG!**

##### **Gefahr für elektronische Bauteile durch elektrostatische Entladung (ESD)**

Durch unsachgemäßen Umgang mit elektrischen Bauteilen können diese zerstört bzw. vorgeschädigt werden.

- ▶ Bei geöffnetem Sensorgehäuse, z. B. beim Verbinden oder Wechsel des Batterie-Packs, auf einen ausreichenden ESD-Schutz achten.
- ▶ Die Leiterplatte und elektrische Bauteile nicht berühren.
- ▶ Vor dem Abnehmen des Kunststoffgehäuses den geerdeten metallischen Gehäuseteil bzw. einen benachbarten, alternativen geerdeten metallischen Gegenstand (z. B. Heizkörper oder Rohrleitungen) berühren, um statische Ladungen vom Körper abzuleiten.
- ▶ Den Kontakt zwischen Elektronik und Kleidungsstücken vermeiden.



#### **VORSICHT!**

##### **Körperverletzungen, Sach- und Umweltschäden**

Lithium-Thionylchlorid-Batterien sind nicht wiederaufladbar. Unsachgemäße Handhabung kann zu Leckagen oder zum Ausströmen verdampfter Elektrolytdämpfe führen und einen Brand oder eine Explosion verursachen.

- ▶ Die Batterie nicht öffnen.
- ▶ Die Batteriezellen nicht beschädigen.
- ▶ Die positiven und negativen Anschlüsse nicht mit Leitern kurzschließen.
- ▶ Die Polarität nicht umpolen.
- ▶ Die Batterie keiner übermäßigen mechanischen Belastung aussetzen.
- ▶ Die Batterie nicht mit Wasser oder Kondenswasser in Berührung bringen.
- ▶ Die Batterie nicht erhitzen, löten oder mit Feuer in Berührung bringen.
- ▶ Keine Akkumulatoren (wiederaufladbare Batterien) verwenden.
- ▶ Auf den Boden aufgeschlagene Batterien nicht weiter benutzen.

Im Lieferzustand ist die Batterie nicht mit der Elektronik verbunden.



## 4. Inbetriebnahme, Betrieb

Anschluss der Batterie siehe auch Kapitel „6.3 Batteriehandhabung“:

1. Gehäuse abnehmen (Bajonettverschluss)
2. Batterie-Stecker einstecken und einrasten.

⇒ LED leuchtet.

3. Das Gehäuseoberteil aufsetzen und verschließen. Die Geräteober- und -unterseite mit den Händen greifen und entgegengesetzt der Kennzeichnung auf dem Deckel verdrehen.

Für die ersten 25 Minuten nach Anschluss der Batterie ist die LED-Funktion aktiviert.

DE

LED-Farbe	Modus	Bedeutung LoRaWAN®	Bedeutung mioty®
<b>Blau</b>	Blinkt einmal	Interne Kommunikation zwischen Funkplatine und Sensorplatine	
<b>Cyan</b>	AN für die Dauer der Join Procedure	Join Procedure läuft	-
<b>Cyan</b>	Blinkt einmal	Join Procedure erfolgreich	-
<b>Rot</b>	Blinkt zweimal	Join Procedure nicht erfolgreich	-
<b>Rot</b>	Blinkt zweimal	Datenübertragung nicht erfolgreich (Confirmed Message)	Datenübertragung nicht erfolgreich
<b>Grün</b>	Blinkt zweimal	Datenübertragung erfolgreich (Confirmed Message)	Datenübertragung erfolgreich

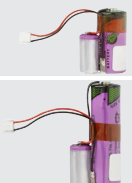
### Freigegebene Batterie

Um eine einwandfreie Funktion und die bestmögliche Leistung zu gewährleisten, nur die unten aufgelisteten Batterien verwenden:

Ausführung	Bezeichnung
<b>Batteriepack</b>	Lithium-Thionylchlorid-Batterie und Hybrid Layer Capacitor (Typ Tadiran HLC1020L) als Zusammenbau mit Anschlusskabel konfektioniert.
Typ PEW-1000 (Lxx)	Typ Tadiran SL860/S
Typ PEW-1000 (Mxx)	Typ Tadiran SL860/S
Typ PEW-1000 (Bxx)	<ul style="list-style-type: none"> <li>■ Typ Tadiran SL860/2</li> <li>■ Typ Tadiran SL861/2</li> </ul>
	→ Die jeweilige Batterie darf nur mit dem entsprechenden Gehäusotyp verwendet werden, siehe Abmessungen in Kapitel 8 „Technische Daten“.

14471927\_04\_01/2024 EN/DE

## 4. Inbetriebnahme, Betrieb

Ausführung	Bezeichnung	
<b>Batteriepack</b>	Lithium-Thionylchlorid-Batterie und Hybrid Layer Capacitor (Typ Tadiran HLC1020L) als Zusammenbau mit Anschlusskabel konfektioniert.	
	Typ Tadiran SL861/S	Artikelnummer 14395532
	Typ Tadiran SL860/S	Artikelnummer 14392747

### Batteriestatus

Die Batterielebensdauer wird als prozentualer Wert über Bluetooth® im Advertising Frame und in Form der Batteriespannung (nomineller Wert: 3,6 V) über LoRaWAN® übertragen. Da die Batterielebensdauer von sehr vielen Faktoren beeinflusst wird, wie z. B. der Mess- und Senderate, dem Spreizfaktor sowie den Umgebungs- und Prozesstemperaturen, ist diese Angabe lediglich ein Näherungswert. Bei der Berechnung des Näherungswerts wird von einer konstanten Umgebungstemperatur von 20 °C [68 °F] ausgegangen.

Bei Werten unterhalb von 20 % der erwarteten Rest-Lebensdauer bzw. unterhalb einer Restspannung von 2,7 V wird ein Batteriewechsel empfohlen. Bei völliger Entladung der Batterie werden keine Werte mehr über die Funkschnittstelle übertragen.

Über die App „myWIKa wireless device“ und die Bluetooth®-Schnittstelle kann die Batteriespannung (nomineller Wert: 3,6 V) ebenfalls ausgelesen werden.

## 4. Inbetriebnahme, Betrieb

### 4.3 App „myWIKa wireless device“



Über die App „myWIKa wireless device“ und eine Bluetooth® Low Energy Verbindung lässt sich die Funktionalität der LoRaWAN® Kommunikation per mobilem Endgerät aktivieren bzw. deaktivieren. Darüber hinaus lassen sich via App die Gerätedaten sowie der aktuelle Messwert auslesen. Dazu den Anweisungen auf dem Bildschirm folgen.



Für iOS-basierte Endgeräte ist die App im Apple Store unter folgendem Link verfügbar.

[Hier herunterladen](#)



Für Android-basierte Endgeräte ist die App im Google Store unter folgendem Link verfügbar.

[Hier herunterladen](#)



### 4.4 Hinweise zur Funkübertragung

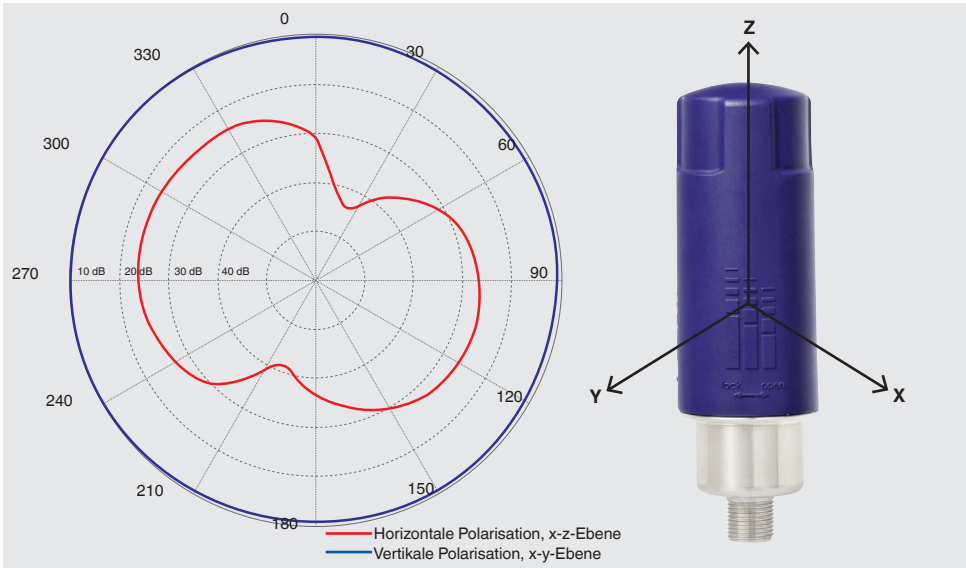
Die Übertragung der gemessenen Druckmesswerte in eine IIoT-Plattform erfolgt in einem voreingestellten Sendeintervall. Die Mess- und Sendeintervalle sowie die Alarmgrenzen für besondere Messwerte lassen sich über die IIoT-Plattform konfigurieren.

Über ein mobiles Endgerät mit einer lokalen Schnittstelle via Bluetooth® Low Energy kann zudem der Gerätestatus (aktueller Messwert, Batterielebensdauer etc.) auch vor Ort abgefragt sowie das Gerät konfiguriert werden.

## 4. Inbetriebnahme, Betrieb

### Abstrahlcharakteristik

- Um eine bestmögliche Sendequalität zu erreichen, sollte die Funkstrecke vom Endgerät bis zum Empfangsgateway möglichst frei von Barrieren sein.
- Die Signalstärke wird durch Betonwände, metallische Abschirmung, Einhausungen sowie durch hügelige Landschaften leicht bis stark beeinträchtigt.
- Für eine bestmögliche Sendeleistung der Antenne dürfen sich keine metallischen Gegenstände, wie z. B. Rohrleitungen, näher als 10 cm [3,93 in] an der Antenne befinden.
- Bei der Installation die Abstrahlcharakteristik des Geräts sowie die Hinweise aus der folgenden Abbildung beachten:



## 4. Inbetriebnahme, Betrieb

### Anbringen des Empfangsgateways

Das Gateway so positionieren, dass die Sendeleistung optimal ausgenutzt wird. Dabei sollten folgende Empfehlungen beachtet werden:

- Je nach Verwendung sollte ein Gateway für den Innen- oder Außeneinsatz gewählt werden.
- Die Abstrahlcharakteristik der Antenne sollte bei der Gatewaypositionierung berücksichtigt werden.
- Befinden sich die Sensoren in einer Ebene ist eine vertikale Montage der LoRaWAN® Antenne am Gateway zu empfehlen. Der Standort sollte idealerweise mittig in der abzudeckenden Fläche sein.
- Befinden sich die Sensoren auf mehreren Ebenen sollte das Gateway mittig im Gebäude platziert werden und die Gateway-Antenne horizontal ausgerichtet werden.
- Eine weitere Möglichkeit ist es, das Gateway außerhalb des Gebäudes zu platzieren und die Antenne vertikal auszurichten. So kann von außen in mehrere Stockwerke eine ausreichende Funkverbindung hergestellt werden.
- Im Außenbereich ist darauf zu achten, dass das Gateway in ausreichender Höhe angebracht wird und in nächster Nähe von nichts verdeckt wird. Je höher das Gateway positioniert wird, desto weiter reicht die LoRaWAN® Verbindung.

DE

### Anbindung in ein LPWAN (nicht bei Bluetooth®)

Das Gerät kann über LoRaWAN® oder mioty® Gateway an eine IIoT-Infrastruktur angebunden werden.

Hierfür wird das Gerät mit einem LoRaWAN® oder mioty® Gateway verbunden und die Messwerte in frei konfigurierbaren Zeitabständen in die IIoT-Infrastruktur (z. B. Plattform, PC, mobiles Endgerät etc.) übertragen.

Für die IIoT-Anbindung werden alle relevanten Daten zur Registrierung und Inbetriebnahme, sowie eine Schnittstellenspezifikation für die Weiterverarbeitung der Daten zur Verfügung gestellt (siehe die Zusatzdokumentation „Special documentation for LPWAN® communication specifications, model PEW-1000“ auf der WIKA-Webseite).

Das Bereitstellungspaket beinhaltet folgende Registrierungsdaten:

- DevEUI (64-bit end-device, unique identifier)
- AppEUI (64-bit unique application identifier)
- AppKey (128-bit Schlüssel)
- Schnittstellenspezifikation (siehe die Zusatzdokumentation „Special documentation for LPWAN® communication specifications, model PEW-1000“ auf der WIKA-Webseite)



Bei einer kundenspezifischen Anbindung muss die Payload-Integration entsprechend der Zusatzdokumentation „Special documentation for LPWAN® communication specifications, model PEW-1000“ auf der WIKA-Webseite kundenseitig erfolgen.

## 4. Inbetriebnahme, Betrieb

### 4.5 Alarmbeschreibung

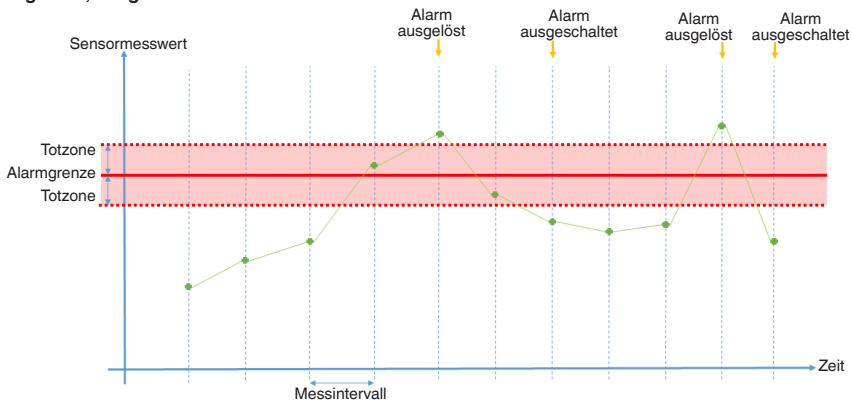
Drei grundsätzliche Alarmarten können konfiguriert werden: Alarmgrenze, Alarmgrenze mit Verzögerung, Druckänderung.

Diese Alarme können mit Hilfe der App „myWIKa wireless device“ über Bluetooth® oder per LoRaWAN®-Anbindung über die WIKa-Cloud eingestellt werden.

Für eine kundeneigene Anbindung ohne WIKa-App oder WIKa-Cloud ist die „Special documentation for LPWAN® communication specifications, model PEW-1000“ bzw. „Special documentation for Bluetooth® communication specifications, model PEW-1000“ zu beachten.

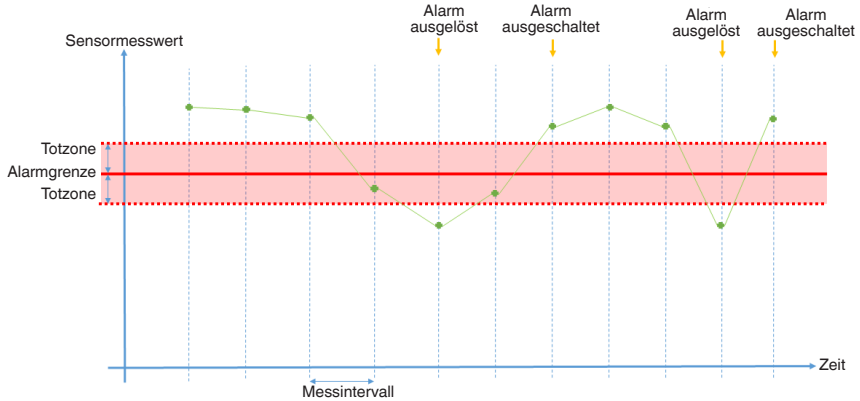
Eine Kombination der Alarmfunktionen ist möglich, z. B. Alarmgrenze steigender und fallender Druck, um ein Betriebsfenster der Anwendung festzulegen.

#### Alarmgrenze, steigender Druck

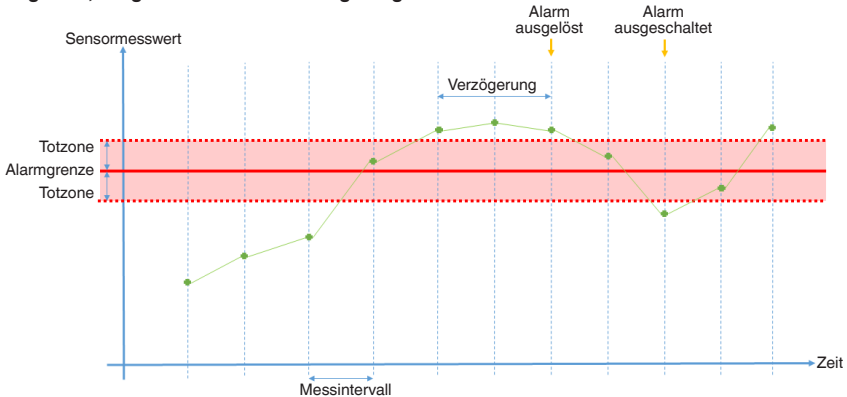


# 4. Inbetriebnahme, Betrieb

## Alarmgrenze, fallender Druck



## Alarmgrenze, steigender Druck mit Verzögerung

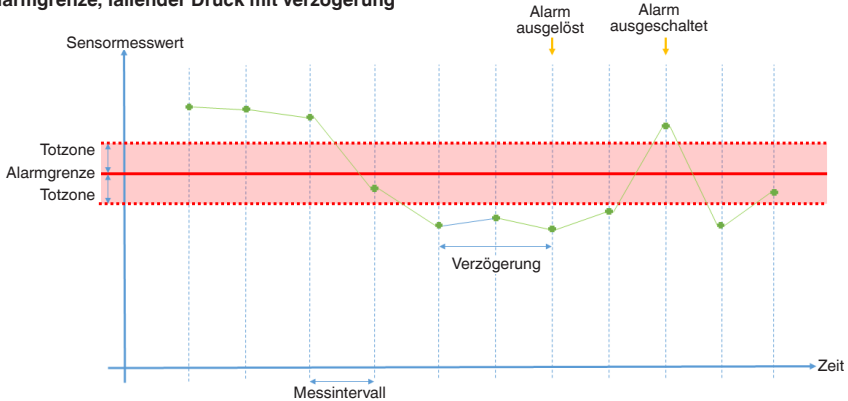


14471927.04.01/2024 ENDE

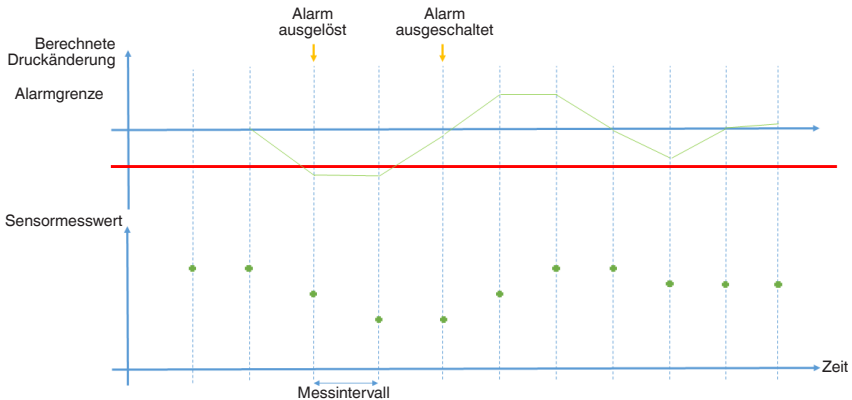
DE

# 4. Inbetriebnahme, Betrieb

## Alarmgrenze, fallender Druck mit Verzögerung



## Druckänderung (slope) fallend



DE



# 5. Störungen

## Druckänderung (slope) steigend

Druckänderung in % / Minute berechnen:

$$|(P1 - P0) / t|$$

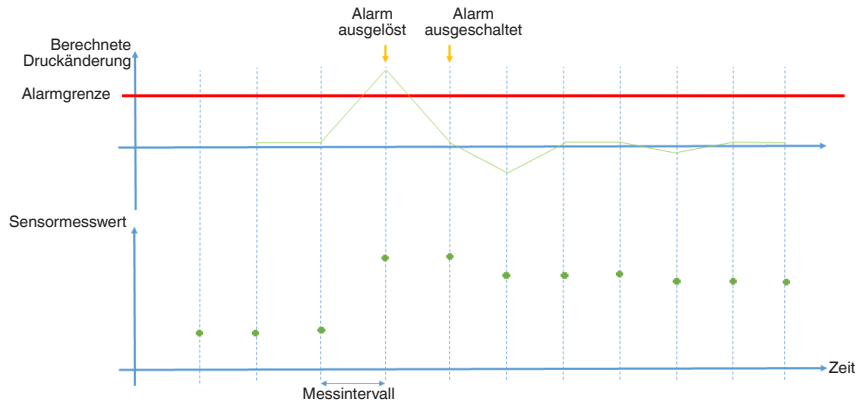
**P0** = Anfangsdruck

**P1** = Druck nach Messintervall t

**t** = Eingestelltes Messintervall in Minuten

DE

Beispiel: Druck steigt von 3 auf 5 bar bei einem Messintervall von 5 Minuten:  $(5 - 3) / 5 = 0,4$  bar / Minute



14471927.04.01/2024 ENDE

## 5. Störungen

### 5. Störungen



#### VORSICHT!

#### Körperverletzungen, Sach- und Umweltschäden

Können Störungen mit Hilfe der aufgeführten Maßnahmen nicht beseitigt werden, Gerät unverzüglich außer Betrieb setzen.

- ▶ Sicherstellen, dass kein Druck bzw. Signal mehr anliegt und gegen versehentliche Inbetriebnahme schützen.
- ▶ Kontakt mit dem Hersteller aufnehmen.
- ▶ Bei notwendiger Rücksendung die Hinweise in Kapitel 7.2 „Rücksendung“ beachten.



Kontaktdaten siehe Kapitel 1 „Allgemeines“ oder Rückseite der Betriebsanleitung.

Bei Störungen zuerst überprüfen, ob das Gerät korrekt montiert ist.

Störung	Ursachen	Maßnahmen
<b>Anbindung an die IIoT-Plattform ist nicht erfolgreich</b>	Zugangsdaten verloren	Kundendienst kontaktieren
	Falsche Zugangsdaten	Überprüfung anhand der mitgelieferten Zugangsdaten
	Kundenseitige Firewall blockiert Schnittstellen	Infrastruktur-Verantwortlichen kontaktieren
	Gerät befindet sich außerhalb der Reichweite des Gateways	Hinweise gemäß Betriebsanleitung beachten.
	Fehlerhafte Inbetriebnahme oder unzulässige, ungeeignete Einbaustelle	Hinweise gemäß Betriebsanleitung beachten.
<b>QR-Code ist nicht auslesbar</b>	Ungünstige Licht- und Abstandsverhältnisse	Optimierung durch Betreiber

## 6. Wartung, Reinigung

Störung	Ursachen	Maßnahmen
<b>Keine Messwertübertragung nach voriger uneingeschränkter Funktion</b>	Batterie leer	Batterie wechseln, siehe Kapitel 4.2 „Batterie“
	Fehlerhafter Batteriewechsel	Überprüfung des Batteriewechsels bzw. Ladezustands der Batterie
	Gerät außerhalb der Reichweite des Gateways	Hinweise gemäß Betriebsanleitung beachten, siehe Kapitel 4 „Inbetriebnahme, Betrieb“
	Beschädigung durch nicht bestimmungsgemäße Verwendung	Bestimmungsgemäße Verwendung beachten, siehe Kapitel 2.2 „Bestimmungsgemäße Verwendung“
	Änderungen in der Infrastruktur	Infrastruktur-Verantwortlichen kontaktieren
<b>Keine Verbindung zum Gateway</b>	Gateway ist ausgeschaltet	Gateway einschalten und sicherstellen, dass eine Verbindung zum Netzwerkserver besteht
<b>Einzelner Messwert nicht übertragen</b>	Kollision bei der Datenübertragung	Nicht vermeidbar! Anpassung der Infrastruktur möglich
<b>Bluetooth®-Übertragung funktioniert nicht</b>	Batterie noch nicht angeschlossen	Gehäuse abnehmen und Batterie anschließen, siehe Kapitel 4.2 „Batterie“
	Batterie leer	Gehäuse abnehmen und Batterie wechseln
	Gerät außer Reichweite	Abstand zum Gerät verringern
	Bluetooth® des mobilen Endgeräts nicht aktiviert	Bluetooth®-Funktion des mobilen Endgeräts aktivieren
<b>Gleichbleibendes Ausgangssignal bei Druckänderung</b>	Mechanische Überlastung durch Überdruck	Gerät austauschen; bei wiederholtem Ausfall Hersteller kontaktieren
<b>Abweichendes Nullpunktsignal</b>	Überdruckgrenze überschritten	Zulässige Überdruckgrenze einhalten
<b>Signalspanne zu klein</b>	Mechanische Überlastung durch Überdruck	Gerät austauschen; bei wiederholtem Ausfall Hersteller kontaktieren
<b>Signal fehlerhaft</b>	Eingetretene Feuchte	Gehäusedeckel korrekt montieren
	Belüftungsöffnung überklebt	Belüftungsöffnung offen halten

DE

## 6. Wartung, Reinigung

### 6. Wartung, Reinigung

#### 6.1 Wartung

Dieses Gerät ist wartungsfrei.

Reparaturen sind ausschließlich vom Hersteller durchzuführen.

Ausgenommen ist der Austausch der Batterie.

#### 6.2 Reinigung

Nur handelsübliche und lösungsmittelfreie Reinigungsmittel verwenden.

#### 6.3 Batteriehandhabung

**Für den Batteriewechsel folgende Hinweise beachten:**

- Batteriewechsel nur in einer trockenen Umgebung durchführen
- Keine Akkus verwenden
- Nur freigegebene Batterietypen verwenden, siehe Kapitel 4.2 „Batterie“.
- Kein elektrisches Werkzeug zum Verschrauben verwenden.



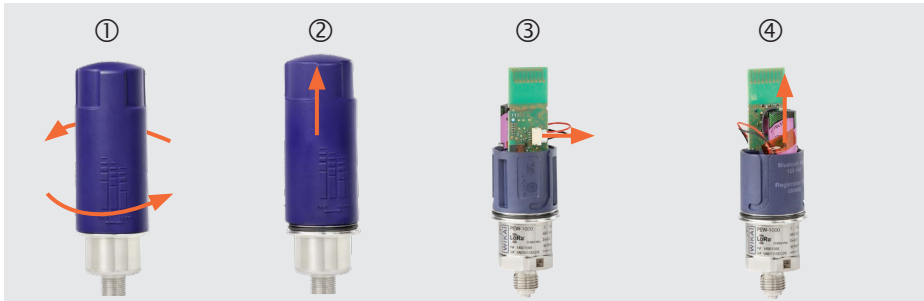
Bei längerer Inaktivität des Geräts die Batterie entnehmen.

Nach Batteriewechsel muss der Befehl „Batterie getauscht“ in der App „myWIKA wireless device“ unter Aktionen oder alternativ via Cloud gesendet werden.

Achtung: Nach dem Ausführen des Befehls „Batterie getauscht“ darf die Batterie für mindestens 24 Stunden nicht vom Sensor getrennt werden.

## 6. Wartung, Reinigung

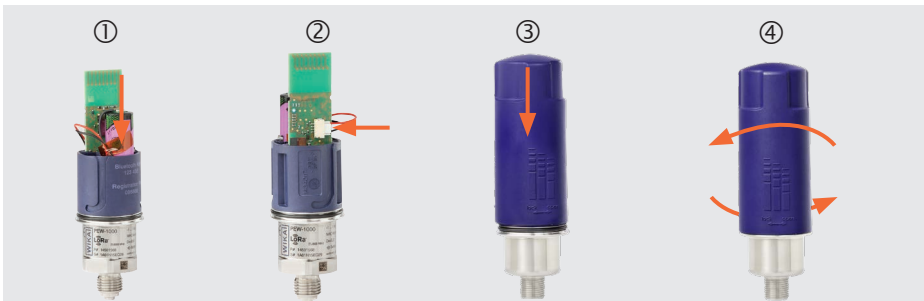
### Batterie entnehmen:



### Vorgehensweise

1. Die Geräteober- und -unterseite mit den Händen greifen und entgegengesetzt verdrehen (Bajonettverschluss).
2. Gehäuseoberteil nach oben abnehmen.
3. Den Batterie-Stecker abziehen.
4. Die Batterie entnehmen.

### Batterie einsetzen:



DE

## 6. Wartung, Reinigung / 7. Demontage, Rücksendung und ...

### Vorgehensweise

1. Die neue Batterie in die Vorrichtung einsetzen.
2. Den Stecker an der Leiterplatte anschließen.
3. Zum Verschließen des Sensors das Gehäuseoberteil aufsetzen. Die Geräteober- und Unterseite mit den Händen greifen und entgegengesetzt fest verdrehen.

→ Beim Schließen des Gehäuseoberteils sicherstellen, dass die Batterieanschlusskabel nicht eingeklemmt sind.



Unbedingt darauf achten, dass kein Spalt zwischen dem Gehäuseoberteil des Sensors und dem Gewinde besteht. Erst bei vollständig geschlossenem Spalt, gilt der Sensor als verschlossen. Darauf achten, dass beim Batteriewechsel das Gerät nicht versehentlich gelockert wird. Das Gehäuseoberteil nicht verkantet einschrauben!

## 7. Demontage, Rücksendung und Entsorgung

### 7.1 Demontage



#### **WARNUNG!**

#### **Gefährliche Messstoffe**

- ▶ Am Gerät können im Fehlerfall aggressive Messstoffe mit extremer Temperatur und unter hohem Druck oder Vakuum anliegen.
- ▶ Gerät vor Demontage druck- und stromlos schalten.

### 7.2 Rücksendung



#### **WARNUNG!**

#### **Körperverletzungen, Sach- und Umweltschäden durch Messstoffreste**

Messstoffreste im ausgebauten Gerät können zur Gefährdung von Personen, Umwelt und Einrichtung führen.

- ▶ Bei Gefahrstoffen das Sicherheitsdatenblatt für den entsprechenden Messstoff beilegen.

#### **Beim Versand des Geräts unbedingt beachten:**

Alle an WIKA gelieferten Geräte müssen frei von Gefahrstoffen (Säuren, Laugen, Lösungen, etc.) sein und sind daher vor der Rücksendung zu reinigen.

Die Batterie vor der Rücksendung entfernen.

## 7. Demontage, Rücksendung und Entsorgung

Die enthaltenen Lithium-Ionen-Akkus oder Lithium-Metall-Batterien unterliegen den Anforderungen des Gefahrgutrechts. Beim Versand sind besondere Anforderungen an Verpackung und Kennzeichnung zu beachten. Hier muss bei der Vorbereitung des Versandstücks ein Gefahrgut-Experte hinzugezogen werden. Keine beschädigten oder defekte Akkus versenden. Offene Kontakte abkleben und den Akku so verpacken, dass er sich nicht in der Verpackung bewegt bzw. Kurzschlüsse verhindert werden. Die unterschiedlichen gefahrgutrechtlichen Vorgaben der jeweiligen Verkehrsträger und auch eventuelle weiterführende nationale Vorschriften beachten.

Zur Rücksendung des Geräts die Originalverpackung oder eine geeignete Transportverpackung verwenden.



Hinweise zur Rücksendung befinden sich in der Rubrik „Service“ auf unserer lokalen Internetseite.

### 7.3 Entsorgung

Durch falsche Entsorgung können Gefahren für die Umwelt entstehen.

Gerätekomponenten und Verpackungsmaterialien entsprechend den landesspezifischen Abfallbehandlungs- und Entsorgungsvorschriften umweltgerecht entsorgen.

Die Batterie vor der Entsorgung vollständig entladen und Kontakte isolieren, um Kurzschlüsse zu verhindern.



Nicht mit dem Hausmüll entsorgen. Für eine geordnete Entsorgung nach nationalen Vorgaben sorgen.

### Entsorgung des Elektrogeräts / mit herausnehmbaren Batterien/Akkus



Dieses Gerät ist entsprechend der EU-Richtlinie über die Entsorgung von Elektro- und Elektronik-Altgeräten (WEEE) gekennzeichnet. Dieses Gerät darf nicht mit dem Hausmüll entsorgt werden.

- ▶ Altgeräte zur umweltgerechten Entsorgung bei einer ausgewiesenen Annahmestelle für die Entsorgung von Elektro- und Elektronikgeräten abgeben.
- ▶ Für eine geordnete Entsorgung nach nationalen Vorgaben sorgen und aktuell geltenden Vorschriften dabei beachten.
- ▶ Herausnehmbare Batterien und Akkus aus dem Gerät entnehmen und diese getrennt entsorgen.

## 8. Technische Daten

### 8. Technische Daten

Abhängig von der gewählten Geräteausführung (z. B. Dichtungen) kann die Spezifikation von den hier aufgeführten technischen Daten abweichen. Führend sind die Angaben in den Bestellunterlagen.

Weitere technische Daten siehe WIKA-Datenblatt PE 87.23.

DE

#### Technische Daten

<b>Messbereich</b>	→ siehe Typenschild
<b>Maximaler Arbeitsdruck</b>	→ Entspricht dem oberen Messbereichswert/Messbereichsendwert
<b>Überdruckgrenze nach IEC 62828-1</b>	Die Überdruckgrenze bezieht sich auf den Messbereich. Abhängig vom gewählten Prozessanschluss und der Dichtung können sich Einschränkungen in der Überdruckgrenze ergeben
Messbereiche < 10 bar	3 fach
Messbereiche ≥ 10 ... ≤ 600 bar	2 fach
Messbereiche > 600 bar	1,43 fach
<b>Max. Messfehler nach IEC 62828-1</b>	≤ ±0,5 % der Spanne
<b>Wahrscheinlicher Gesamtfehler nach IEC 62828-2</b>	→ Siehe Diagramm „Wahrscheinlicher Gesamtfehler nach IEC 62828-2“
<b>Vakuumfestigkeit</b>	Ja
<b>Werkstoff (messstoffberührt)</b>	CrNi-Stahl 316L
<b>Messstofftemperaturgrenze</b>	-20 ... +80 °C [-4 ... +176 °F]
<b>Umgebungstemperaturgrenze</b>	-20 ... +80 °C [-4 ... +176 °F]
<b>Lagertemperaturgrenze</b>	-40 ... +70 °C [-40 ... +158 °F]
<b>Relative Feuchte</b>	0 ... 95 % r. F.
<b>Max. zulässige Höhenlage</b>	≤ 2.000 m [6.561,67 ft]
<b>Zulässiger Verschmutzungsgrad nach EN 61010-1</b>	2



## 8. Technische Daten

### Technische Daten

#### Batterielebensdauer

PEW-1000 (Lxx), PEW-1000 (Mxx)	Typ Tadiran SL860/S	> 10 Jahre (Mess- und Sendeintervall 1 Stunde, Spreizfaktor 10)
PEW-1000 (Bxx)	Typ Tadiran SL861/S	5 Jahre (Messintervall 60 Sekunden)
	Typ Tadiran SL860/S	7 Jahre (Messintervall 60 Sekunden)
→ Bei Referenzbedingungen		

DE

### Funkstandard

#### LoRaWAN®

Spezifikation	LoRaWAN® 868 MHz EU
Version	1.0.3
Funktionen	<ul style="list-style-type: none"><li>■ Anmeldung</li><li>■ Konfiguration</li><li>■ Senden von Messwerten</li><li>■ Alarmverwaltung</li><li>■ Batteriestatus</li></ul>
Frequenzbereich	863 ... 870 MHz
Reichweite im Freifeld	Typisch 10 km [6 mi] → Abhängig von den Umgebungsbedingungen wie Topographie und Gebäudestrukturen.
Kanalabstand	200 kHz
Bandbreite	125 kHz
Max. Sendeleistung	14 dBm

## 8. Technische Daten

### Funkstandard

#### mioty®

Spezifikation	Regional Profile EU1
Funktionen	<ul style="list-style-type: none"><li>■ Anmeldung</li><li>■ Senden von Messwerten</li><li>■ Alarmverwaltung</li><li>■ Batteriestatus</li></ul>
Frequenzbereich	863 ... 870 MHz
Reichweite im Freifeld	Typisch 10 km [6 mi] → Abhängig von den Umgebungsbedingungen wie Topographie und Gebäudestrukturen.
Bandbreite	60 kHz
Max. Sendeleistung	14 dBm

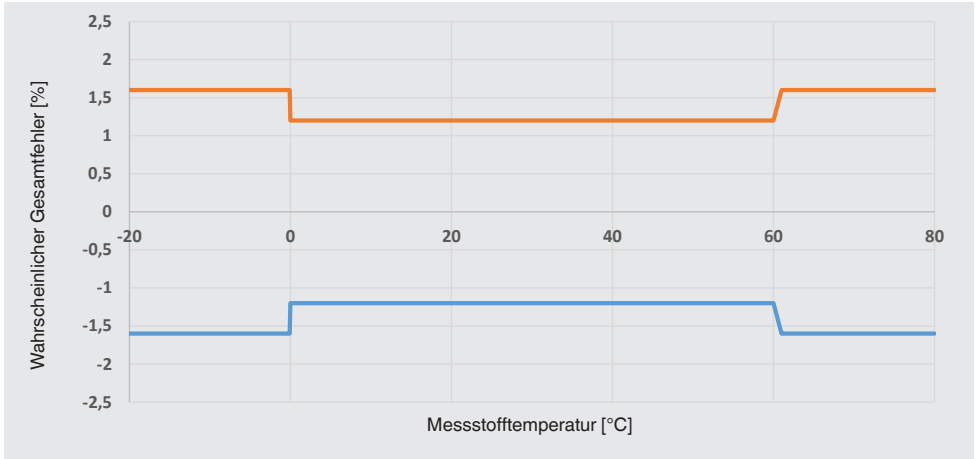
#### Bluetooth®

Version	Bluetooth® min. 5.0 → Kompatibel mit allen Bluetooth® Low Energy Versionen min. 4.2
Funktionen	<ul style="list-style-type: none"><li>■ Anmeldung</li><li>■ Konfiguration</li><li>■ Senden von Messwerten</li><li>■ Alarmverwaltung</li><li>■ Batteriestatus</li></ul>
Frequenzbereich	2.402 ... 2.480 MHz
Reichweite im Freifeld	Typisch 20 m [65 ft] → Abhängig von den Umgebungsbedingungen wie Topographie und Gebäudestrukturen.
Max. Sendeleistung	4 dBm

→ Weitere ausführliche Informationen zu den Funkprotokollen siehe [www.wika.de](http://www.wika.de).

## 8. Technische Daten

### Wahrscheinlicher Gesamtfehler nach IEC 62828-2



DE

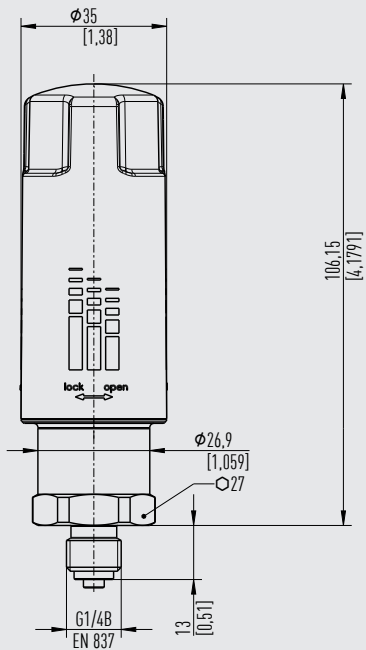
→ Höhere Genauigkeit im Bereich unter 0 °C [32 °F] und über 60 °C [140 °F] auf Anfrage möglich

## 8. Technische Daten

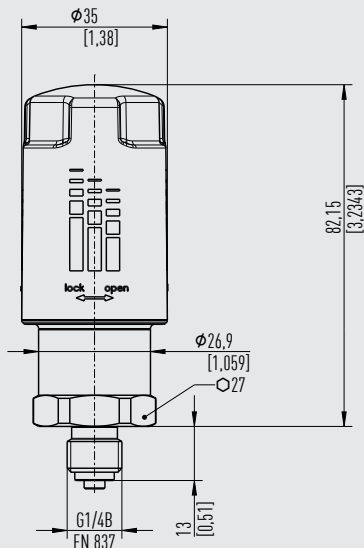
### Abmessungen in mm [in]

Mit Batterie-Pack Typ Tadiran SL860/S

Mit Batterie-Pack Typ Tadiran SL861/S



Gewicht: ca. 125 g [2,28 lb]



Gewicht: ca. 112 g [2,25 lb]

DE



## EU-Konformitätserklärung EU Declaration of Conformity

Dokument Nr. 14520509 Revision 03  
Document No. Issue

Wir erklären in alleiniger Verantwortung, dass die mit CE gekennzeichneten Produkte  
We declare under our sole responsibility that the CE marked products

**Typenbezeichnung** PEW-1000 (L\*\*) und PEW-1000 (B\*\*)  
**Type Designation**

**Beschreibung** Drucksensor mit Funkübertragung  
**Description** Wireless Pressure Transmitter

gemäß gültigem Datenblatt PE 87.23  
according to the valid data sheet

mit den nachfolgenden relevanten Harmonisierungsvorschriften der  
Union übereinstimmen  
are in conformity with the following relevant Union harmonisation  
legislation

Angewandte harmonisierte Normen  
Applied harmonised standards

2011/65/EU Gefährliche Stoffe (RoHS)  
Hazardous substances (RoHS)

EN IEC 63000:2018

2014/53/EU Funkanlagen  
Radio Equipment

Gesundheit und Sicherheit (Artikel 3 (1) a)  
Protection of health and safety (Article 3 (1) (a))  
EN 61010-1:2010 + A1:2019 +  
A1:2019/AC:2019  
EN 62479:2010  
Elektromagnetische Verträglichkeit (Artikel 3 (1) b)  
Electromagnetic compatibility (Article 3 (1) (b))  
EN 301 489-1 V2.2.3  
EN 301 489-3 V2.3.0  
EN 301 489-17 V3.2.5  
EN 61326-1:2013  
stimmt auch überein mit/also complies with  
EN IEC 61326-1:2021  
Effektive Nutzung Frequenzspektrum (Artikel 3 (2))  
Effective use of spectrum (Article 3 (2))  
EN 300 220-1 V3.1.1  
EN 300 220-2 V3.2.1  
EN 300 338 V2.2.2

Unterszeichnet für und im Namen von / Signed for and on behalf of  
**WIKAI Alexander Wiegand SE & Co. KG**  
Klingenberg, 2024-01-25

Fokko Sluke, Director of Operations Transmitters  
Industrial Instrumentation

Steffen Schlesiona, Director Quality Management  
Industrial Instrumentation

WIKAI Alexander Wiegand SE & Co. KG  
Alexander Wiegand Straße 39  
63111 Klingenberg  
Germany  
WIKAI-HQ DE 02710372  
Rev. 04/2022

Tel. +49 9372 122-0  
Fax. +49 9372 122-406  
E-Mail info@wika.de  
www.wika.de

Kommanditgesellschaft, Sitz Klingenberg -  
Angelegenheiten-Nachenburg-WIKAI 1819

Komplementär  
WIKAI-Industrielle SE - Sitz Hünningen  
Angelegenheiten Nachenburg-WIKAI 10505  
Vorsitzender Alexander Wiegand  
Vorsitzender des Aufsichtsrates: Prof. Dr. Roderich C. Thumel  
23/04/2020

Die LoRa®-Marke und das LoRa-Logo sind Warenzeichen der Semtech Corporation.  
LoRaWAN® ist eine Marke, die unter Lizenz der LoRa-Alliance® verwendet wird.  
mioty® ist eingetragenes Warenzeichen des Frauenhofer IIS.

Die Bluetooth®-Wortmarke und -Logos sind eingetragene Marken im Besitz von Bluetooth SIG, Inc. und jede Verwendung dieser Marken durch WIKA erfolgt unter Lizenz. Andere Marken und Markennamen sind Eigentum der jeweiligen Inhaber.

WIKA subsidiaries worldwide can be found online at [www.wika.com](http://www.wika.com).

WIKa-Niederlassungen weltweit finden Sie online unter [www.wika.de](http://www.wika.de).



**Importer for UK**

**WIKa Instruments Ltd**

Unit 6 and 7 Goya Business park

The Moor Road

Sevenoaks

Kent

TN14 5GY



**WIKa Alexander Wiegand SE & Co. KG**

Alexander-Wiegand-Strasse 30

63911 Klingenberg • Germany

Tel. +49 9372 132-0

[info@wika.de](mailto:info@wika.de)

[www.wika.de](http://www.wika.de)