

法兰连接式隔膜密封 平嵌膜片 型号990.27

威卡 (WIKA) 数据资料DS 99.27



更多认证
请参见第5页

应用

- 适用于腐蚀性、高粘性、结晶及高温的压力介质
- 过程工业
- 机械制造和自动化

功能特性

- 膜片平焊接在法兰本体上
- 可提供各种常见标准及公称直径
- 所有接液部分（膜片和密封面）均可采用用户选定的特殊材料

描述

隔膜密封可保护测量仪表不受侵蚀性、粘性、结晶、腐蚀性、高粘稠、对环境有害的或有毒的介质损坏。由适当材料制成的膜片可将测量仪表和被测介质隔离开。因此，只要配备适当的隔膜密封，测量仪表就能用于最高难度的测量任务。

系统内部的填充液体（可根据特定应用选择最合适的液体）可通过液压方式将压力传导至测量仪表。

关于隔膜密封和隔膜密封系统的更多技术资料请参考IN 00.06“隔膜密封”。



法兰连接式隔膜密封，990.27型

990.27型隔膜密封采用法兰连接和平膜片设计，适用于目前所有的标准法兰，并且无需盲法兰即可安装到压力测量仪表中。

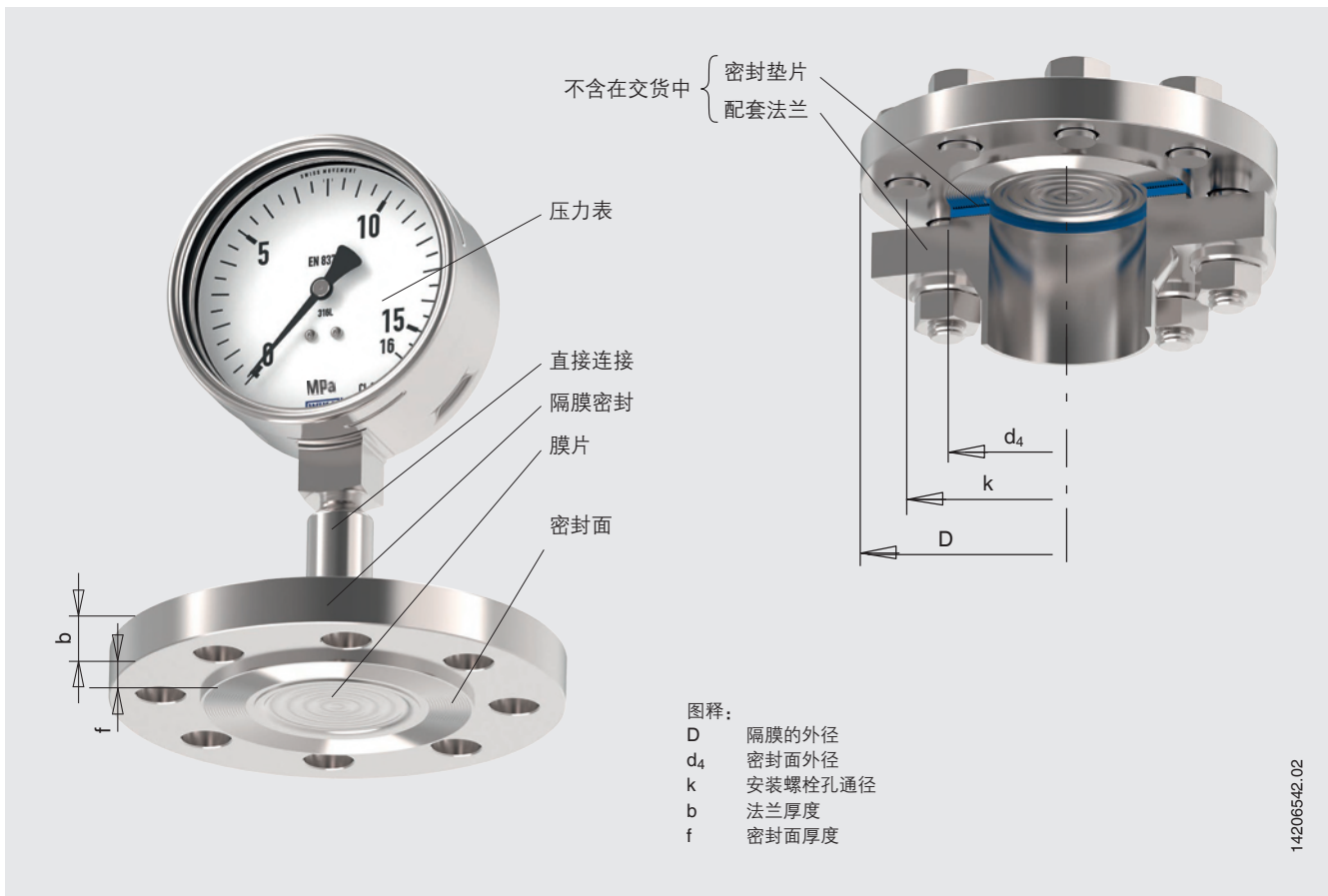
隔膜密封与测量仪表可以直接装配（标配），也可通过冷却元件或柔性毛细管装配（选配）。

在选材方面，威卡 (WIKA) 提供了多种解决方案，密封隔膜的上腔体和膜片可由同种或不同材料制成。膜片和密封面还可提供喷涂或覆上镀层。

规格参数

型号 990.27	标准	可选
标准压力等级和材质	请参考第4页的表格	
接液部件的清洁度	禁油禁脂处理, 根据ASTM G93-03 level F (WIKA标准) (< 1,000 mg/m ²)	<ul style="list-style-type: none"> ■ 禁油禁脂处理, 根据ASTM G93-03 level D和ISO 15001 (< 220 mg/m²) ■ 禁油禁脂处理, 根据ASTM G93-03 level C和ISO 15001 (< 66 mg/Öl/m²)
接液部件原产地	国际	欧盟、瑞士、美国
和仪表的连接方式	直接焊接连接	通过G ½, G ¼, ½ NPT 或 ¼ NPT内螺纹焊接
安装方式	直接连接	<ul style="list-style-type: none"> ■ 毛细管 ■ 冷却塔
冲洗环	-	不锈钢316L, 用于EN标准DN 40 ... 125或ASME标准DN1 ½" ... 5" (见数据资料 AC 91.05)
根据NACE标准的设计	-	<ul style="list-style-type: none"> ■ MR 0175 ■ MR 0103
真空服务	基本要求	<ul style="list-style-type: none"> ■ 进阶要求 ■ 最高要求
仪表安装支架 (仅用于毛细管连接)	-	<ul style="list-style-type: none"> ■ H型符合DIN16281标准, 100mm, 铝制, 黑色 ■ H型符合DIN16281标准, 100mm, 不锈钢 ■ 管道支架安装, 用于Ø 20 ... 80 mm的管道, 钢材质

案例：隔膜型号990.27安装压力表



过程连接， 法兰

标准	法兰尺寸	密封面	
		标准	可选
符合DIN EN 1092-1标准	DN 25	B1形	<ul style="list-style-type: none"> ■ A形 ■ B2形 ■ C形 (榫面) ■ D形 (槽面) ■ E形 (凸面) ■ F形 (凹面)
	DN 40		
	DN 50		
	DN 65		
	DN 80		
	DN 100		
	DN 125		
符合ASME B 16.5标准	1"	RF 125 ... 250 AA	<ul style="list-style-type: none"> ■ RFSF ■ 全平面 ■ 小型榫面 ■ 小型凸面 ■ 小型槽面 ■ 小型凹面 ■ 大型榫面 ■ 大型凸面 ■ 大型槽面 ■ 大型凹面 ■ RJF沟槽
	1 1/2"		
	2"		
	2 1/2"		
	3"		
	4"		
	5"		
符合GOST 33259标准	DN 25	B形	<ul style="list-style-type: none"> ■ A形 (全平面) ■ C形 (榫面) ■ D形 (槽面) ■ E形 (凸面) ■ F形 (凹面)
	DN 40		
	DN 50		
	DN 65		
	DN 80		
	DN 100		
	DN 125		
符合API 6A标准	1 1/8"	环形凹面	-
	1 1/16"		
	1 13/16"		
	2 1/16"		
符合JIS B2220标准	DN 25A	RF	-
	DN 40A		
	DN 50A		
	DN 80A		
	DN 100A		

客户要求的其他法兰

材料组合

隔膜密封上半部	接液部件	过程温度限值 ¹⁾ °C [°F]
不锈钢1.4404 (316L)	不锈钢1.4404 / 1.4435 (316L), 标准型	400 [752]
	不锈钢1.4539 (904L)	
	不锈钢1.4541 (321)	
	不锈钢1.4571 (316Ti)	
	ECTFE涂层	150 [302]
	PFA (全氟烷氧基) 喷涂 (FDA标准)	260 [500]
	PFA (全氟烷氧基) 喷涂 (防静电)	
	镀金	400 [752]
	Wikaramic®涂层	
	哈氏合金C22 (2.4602)	260 [500]
	哈氏合金C276 (2.4819)	400 [752]
	Inconel 600 (2.4816)	
	Inconel 625 (2.4856)	
	Incoloy 825 (2.4858)	
	蒙乃尔合金400 (2.4360)	
	镍200 (2.4060, 2.4066)	260 [500]
	钛, 2级 (3.7035)	150 [302]
钛, 11级 (3.7225)		
钽	300 [572]	
不锈钢1.4435 (316L)	不锈钢1.4435 (316L)	400 [752]
不锈钢1.4539 (904L)	不锈钢1.4539 (904L)	
不锈钢1.4541 (321)	不锈钢1.4541 (321)	
不锈钢1.4571 (316Ti)	不锈钢1.4571 (316Ti)	
双相钢2205 (1.4462)	双相钢2205 (1.4462)	300 [572]
超级双相钢2507 (1.4410)	超级双相钢2507 (1.4410)	
哈氏合金C22 (2.4602)	哈氏合金C22 (2.4602)	400 [752]
哈氏合金C276 (2.4819)	哈氏合金C276 (2.4819)	
Inconel 600 (2.4816)	Inconel 600 (2.4816)	
Inconel 625 (2.4856)	Inconel 625 (2.4856)	
Incoloy 825 (2.4558)	Incoloy 825 (2.4858)	
蒙乃尔合金400 (2.4360)	蒙乃尔合金400 (2.4360)	
镍200 (2.4060, 2.4066)	镍200 (2.4060, 2.4066)	
钛, 2级 (3.7035)	钛, 2级 (3.7035)	
钛, 7级 (3.7235)	钛, 11级 (3.7225)	

1) 隔膜密封系统的过程温度限制取决于连接方式、系统填充液和测量仪表

客户要求的其他材料组合

认证

图标	描述	国家
EAC	EAC (可选) 压力设备指令	欧亚经济共同体
-	CRN 安全性 (如电气安全、过压...)	加拿大
-	MTSCHS (可选) 允许调试	哈萨克斯坦

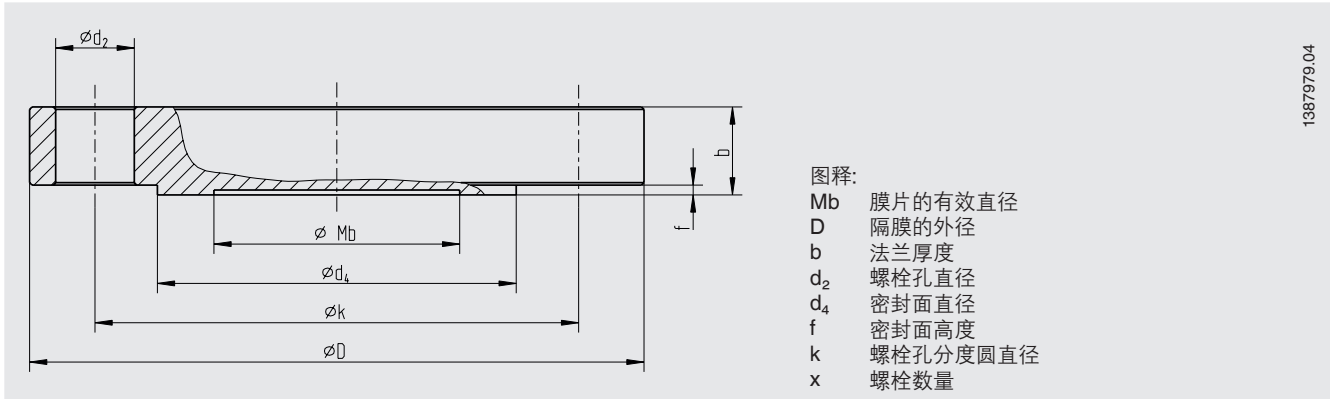
证书 (可选)

- 2.2测试报告, 符合EN 10204标准 (如顶级制造工艺, 材料证书、隔膜密封系统的指示准确性)
- 3.1检验证书, 符合EN 10204标准 (如接液部件材料证明, 隔膜密封系统的指示准确性)

更多认证和证书, 见网站

尺寸mm [in]

法兰连接, 符合DIN EN 1092-1, B形



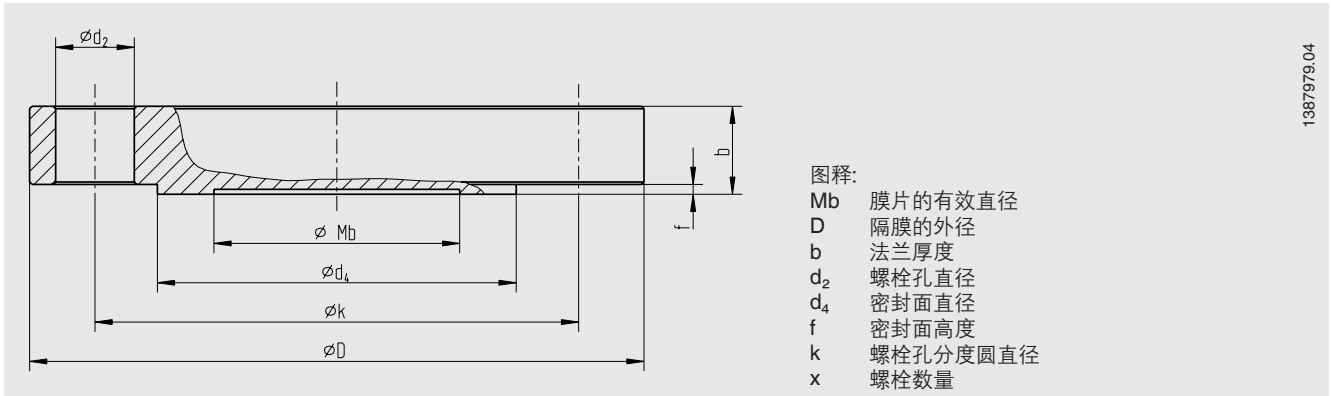
1387979.04

DN	PN (MPa)	尺寸mm [in]							x	重量 kg [lbs]
		Mb	D	b	d ₂	k	f	d ₄		
25	1/4	32 [1.26]	115 [4.528]	18 [0.709]	14 [0.551]	85 [3.346]	2 [0.079]	68 [2.677]	4	1.5 [3.3]
	6.3/10	25 [0.984]	140 [0.984]	24 [0.945]	18 [0.709]	100 [3.937]				2.5 [5.5]
40	1/4	45 [1.772]	150 [5.905]	18 [0.709]	18 [0.709]	110 [4.331]	2 [0.079]	88 [3.465]	4	2.6 [5.7]
	6.3/10		170 [6.693]	26 [1.024]	22 [0.866]	125 [4.921]				4.0 [8.8]
	16		170 [6.693]	28 [1.102]	22 [0.866]	125 [4.921]				4.3 [9.5]
	25		185 [2.283]	34 [1.339]	26 [1.024]	135 [5.315]				6.3 [13.9]
50	1/4	59 [2.323]	165 [6.496]	20 [0.787]	18 [0.709]	125 [4.921]	2 [0.079]	102 [4.016]	4	3.3 [7.3]
	6.3		180 [7.087]	26 [1.024]	22 [0.866]	135 [5.315]				5.1 [11.2]
	10		195 [7.677]	28 [1.102]	26 [1.024]	145 [5.709]				6.5 [14.3]
	16		195 [7.677]	30 [1.181]	26 [1.024]	145 [5.709]				7.0 [15.4]
	25		200 [7.874]	38 [1.496]	26 [1.024]	150 [5.906]				9.3 [20.5]
80	1/1.6	89 [3.504]	200 [7.874]	20 [0.787]	18 [0.709]	160 [6.299]	2 [0.079]	138 [5.433]	8	4.9 [10.8]
	2.5/4		200 [7.874]	24 [0.945]	18 [0.709]	160 [6.299]				5.8 [12.8]
	6.3		215 [8.465]	28 [1.102]	22 [0.866]	170 [6.693]				7.9 [17.4]
	10		230 [9.055]	32 [1.26]	26 [1.024]	180 [7.087]				10.4 [22.9]
	16		230 [9.055]	36 [1.487]	26 [1.024]	180 [7.087]				11.7 [25.8]
	25		255 [10.039]	46 [1.811]	30 [1.181]	200 [7.874]				18.4 [40.6]
100	1/1.6	89 [3.504]	220 [8.661]	20 [0.787]	18 [0.709]	180 [7.087]	2 [0.079]	158 [6.22]	8	5.9 [13]
	2.5/4		235 [9.252]	24 [0.945]	22 [0.866]	190 [7.480]				8.1 [17.9]
	6.3		250 [9.842]	30 [1.181]	26 [1.024]	200 [7.874]				11.5 [25.3]
	10		265 [10.433]	36 [1.487]	30 [1.181]	210 [8.268]				15.5 [34.2]
	16		265 [10.433]	40 [1.575]	30 [1.181]	210 [8.268]				17.3 [38.1]
	25		300 [11.811]	54 [2.126]	33 [1.299]	235 [9.252]				29.9 [65.9]
125	1/1.6	124 [4.882]	250 [9.842]	22 [0.866]	18 [0.709]	210 [8.268]	2 [0.079]	188 [7.402]	8	8.4 [18.5]
	2.5/4		270 [10.63]	26 [1.024]	26 [1.024]	220 [8.661]				11.6 [25.6]
	6.3		295 [11.614]	34 [1.339]	30 [1.181]	240 [9.449]				16.5 [36.4]
	10		315 [12.412]	40 [1.575]	33 [1.299]	250 [9.842]				24.4 [53.8]
	16		315 [12.412]	44 [1.732]	33 [1.299]	250 [9.842]				26.9 [59.3]
	25		340 [13.386]	60 [2.342]	33 [1.299]	275 [10.827]				42.7 [94.1]

可按要求提供的其他尺寸和标称压力

尺寸mm [in]

法兰连接, 符合ASME B 16.5标准, RF

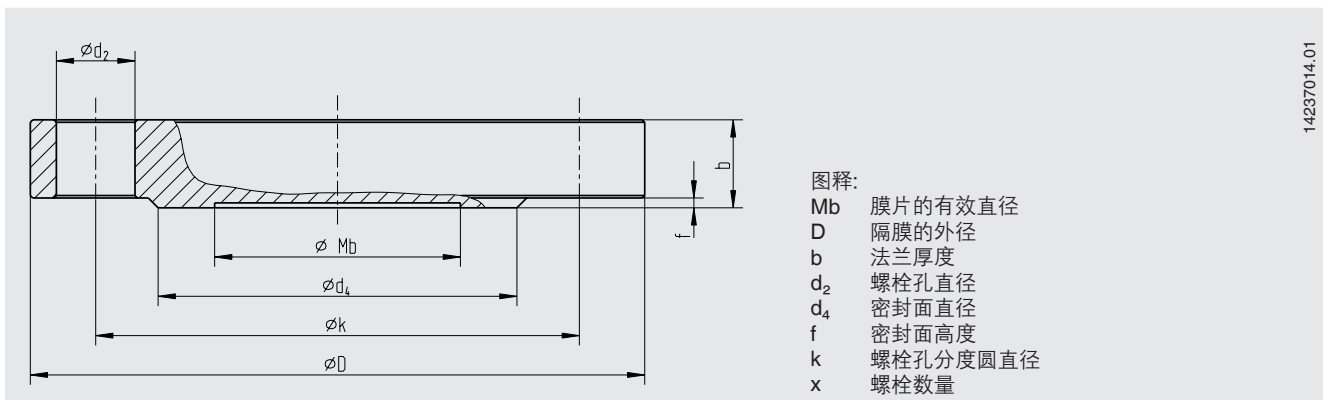


1387979.04

DN	等级	尺寸mm [in]							x	重量 kg [lbs]
		Mb	D	b	d ₂	k	f	d ₄		
1"	150	32	110 [4.331]	14.7 [0.579]	16 [0.63]	79.4 [3.126]	2	51 [2.008]	4	1.4 [3.1]
	300	[1.26]	125 [4.921]	17.9 [0.705]	19 [0.748]	88.9 [3.5]	[0.079]			1.7 [3.7]
1 1/2"	150	45	125 [4.921]	17.9 [0.705]	16 [0.63]	98.4 [3.874]	2	73 [2.874]	4	1.6 [3.5]
	300	[1.772]	155 [6.102]	21.1 [0.831]	22 [0.866]	114.3 [4.5]	[0.079]			2.5 [5.5]
	600		155 [6.102]	29.3 [1.154]	22 [0.866]	114.3 [4.5]	7			3.3 [7.2]
	1,500		180 [7.087]	38.8 [1.528]	29 [1.142]	123.8 [4.874]	[0.276]			5.9 [13]
	2,500		205 [8.071]	51.5 [2.078]	32 [1.26]	146 [5.748]				10.4 [22.9]
2"	150	59	150 [5.905]	19.5 [0.768]	19 [0.748]	120.7 [4.752]	2	92 [3.622]	4	2.7 [6]
	300	[2.323]	165 [6.496]	22.7 [0.894]	19 [0.748]	127 [5]	[0.079]			8
	600		165 [6.496]	32.4 [1.276]	19 [0.748]	127 [5]	7		5.7 [12.6]	
	1,500		215 [8.465]	45.1 [1.776]	26 [1.024]	165.1 [6.5]	[0.276]		13.2 [29]	
	2,500		235 [9.252]	57.9 [2.28]	29 [1.142]	171.4 [6.748]			19.8 [43.7]	
3"	150	89	190 [7.482]	24.3 [0.957]	19 [0.748]	152.4 [6]	2	127 [5]	4	5.3 [11.7]
	300	[3.504]	210 [8.268]	29 [1.142]	22 [0.866]	168.3 [6.626]	[0.079]			8
	600		210 [8.268]	38.8 [1.528]	22 [0.866]	168.3 [6.626]	7		11 [24.3]	
	900		240 [9.449]	45.1 [1.776]	26 [1.024]	190.5 [7.7]	[0.276]		16.7 [36.8]	
	1,500		265 [10.433]	54.7 [1.799]	32 [1.26]	203.2 [8]			24.5 [54]	
	2,500		305 [12.007]	73.7 [2.902]	35 [1.378]	228.6 [5.063]			42.7 [94.1]	
4"	150	89	230 [9.055]	24.3 [0.957]	19 [0.748]	190.5 [7.5]	2	157.2 [6.189]	8	7.7 [17]
	300	[3.504]	255 [10.039]	32.2 [1.268]	22 [0.866]	200 [7.874]	[0.079]			12.7 [28]
	400		255 [10.039]	42 [1.654]	26 [1.024]	200 [7.874]	7			17.4 [38.4]
	600		275 [10.826]	45.1 [1.776]	26 [1.024]	215.9 [8.5]	[0.276]			21.5 [47.4]
	900		290 [11.417]	51.5 [2.028]	32 [1.26]	235 [9.252]				27.7 [61.1]
	1,500		310 [12.205]	61 [2.402]	35 [1.378]	241.3 [9.5]				37 [81.6]
	2,500		355 [13.976]	83.2 [3.276]	42 [1.654]	273 [10.748]				65.7 [144.8]
5"	150	124	255 [10.039]	24.3 [0.957]	22 [0.866]	215.9 [8.5]	2	185.7 [7.311]	8	9.2 [20.3]
	300	[4.882]	280 [11.024]	35.4 [1.394]		235 [9.25]	[0.079]			16.3 [35.9]
	400			45.1 [2.13]	26 [1.024]		7			19.3 [42.5]
	600		330 [13]	51.5 [2.028]	29 [1.142]	266.7 [10.5]	[0.276]			30.5 [67.2]
	900		350 [13.78]	57.8 [2.278]	35 [1.378]	279.4 [11]				38 [83.8]
	1,500		375 [14.764]	80.1 [3.154]	42 [1.654]	292.1 [11.5]				60.1 [132.5]
	2,500		420 [16.535]	99.1 [3.902]	48 [1.889]	323.8 [12.75]				93.6 [206.4]

可按要求提供的其他尺寸和标称压力

法兰连接, 符合GOST 33259标准, B型



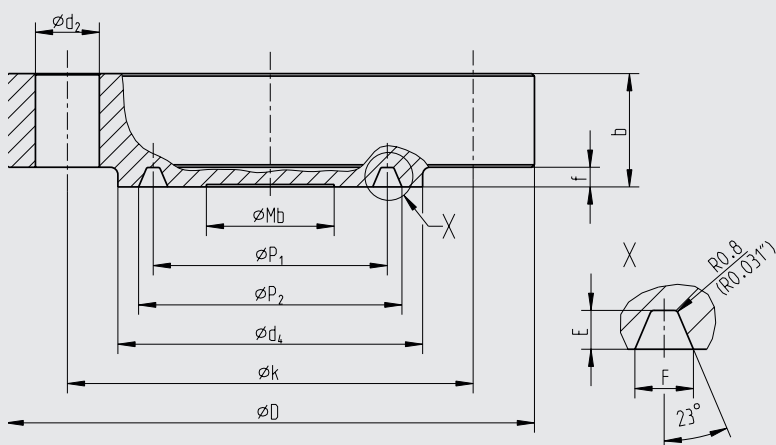
14237014.01

DN	PN (MPa)	尺寸mm [in]							x	重量 kg [lbs]			
		Mb	D	b	d ₂	k	f	d ₄					
50	1/1.6	59 [2.323]	160 [6.3]	16 [0.63]	18 [0.709]	125 [4.921]	3 [0.118]	102 [4.016]	4	2.4 [5.3]			
	2.5/4			20 [0.787]						3 [6.6]			
	6.3			175 [6.89]						26 [1.024]	22 [0.866]	135 [5.315]	4.5 [9.9]
	10			195 [7.677]						28 [1.102]	26 [1.024]	145 [5.709]	5.6 [12.3]
	16			30 [1.181]						6.4 [14.1]			
	20			210 [8.268]						40 [1.575]	160 [6.299]	8	9.4 [20.7]
80	1	89 [3.504]	195 [7.677]	18 [0.709]	18 [0.709]	160 [6.299]	3 [0.118]	133 [5.236]	4	4 [8.8]			
	1.6			20 [0.787]						4.5 [9.9]			
	2.5			22 [0.866]						8	4.8 [10.6]		
	4			24 [0.945]						5.2 [11.5]			
	6.3			210 [7.677]					30 [1.181]	22 [0.866]	170 [6.693]	7.4 [16.3]	
	10			230 [9.055]					34 [1.339]	26 [1.024]	180 [7.087]	9.8 [21.6]	
	16			36 [1.417]					10.4 [22.9]				
	20			290 [11.417]					54 [2.126]	33 [1.299]	230 [9.055]	24.7 [54.5]	
100	1/1.6	89 [3.504]	215 [8.465]	20 [0.787]	18 [0.709]	180 [7.087]	3 [0.118]	158 [6.22]	8	5.3 [11.7]			
	2.5			230 [9.055]						24 [0.945]	22 [0.866]	190 [7.48]	7.1 [15.7]
	4			26 [1.024]						7.8 [17.2]			
	6.3			250 [9.842]						32 [1.26]	26 [1.024]	200 [7.874]	11.1 [24.5]
	10			265 [10.433]						38 [1.496]	30 [1.181]	210 [8.268]	14.5 [32]
	16			40 [1.575]						15.3 [33.7]			
	20			360 [14.173]						66 [2.598]	39 [1.535]	292 [11.496]	47.2 [104.1]
125	1/1.6	89 [3.504]	245 [9.646]	22 [0.866]	18 [0.709]	210 [8.268]	3 [0.118]	184 [7.244]	8	7.7 [17]			
	2.5			270 [10.63]						26 [1.024]	26 [1.024]	220 [8.661]	10.6 [23.4]
	4			28 [1.102]						11.4 [25.1]			
	6.3			295 [11.614]						36 [1.417]	30 [1.181]	240 [9.449]	17.4 [38.4]
	10			310 [12.205]						42 [1.654]	33 [1.299]	250 [9.842]	22.3 [49.2]
	16			310 [12.205]						44 [1.732]	23.4 [51.6]		
	20			385 [15.157]						76 [2.992]	39 [1.535]	318 [12.52]	63.2 [139.3]

可按要求提供的其他尺寸和标称压力

符合API 6A的法兰连接，环形槽面密封面

14237015.01

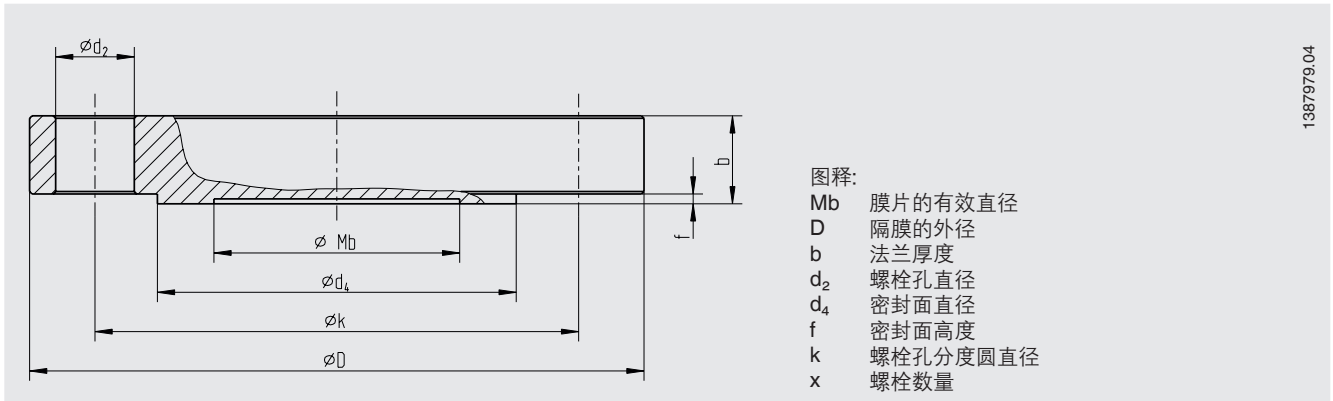


- 图释:
- Mb 膜片的有效直径
 - D 隔膜的外径
 - b 法兰厚度
 - d₄ 密封面直径
 - f 密封面高度
 - k 螺栓孔分度圆直径
 - x 螺栓数量
 - d₂ 螺栓孔直径
 - F 槽宽
 - E 槽深
 - P₁ 槽中心直径
 - P₂ 槽外部直径

DN	PN (psi)	尺寸mm [in]						x	槽面尺寸mm [in]					重量 kg [lbs]
		Mb	D	d ₄	f	b	k		d ₂	P ₁	P ₂	E	F	
1 13/16"	10,000	40 [1.575]	185 [7.283]	105 [4.134]	4 [0.157]	42.1 [1.657]	146.1 [5.752]	8	23 [0.906]	-	77.77 [3.062]	5.56 [21.89]	11.84 [0.466]	7.7 [17]
	15,000		210 [8.268]	106 [4.173]		45.3 [1.783]	160.3 [6.311]		26 [1.024]					10.5 [23.1]
	20,000		255 [10.039]	117 [4.606]		63.5 [2.5]	203.2 [8]		29 [1.142]					22.3 [49.2]
2 1/16"	2,000	52 [2.047]	165 [6.496]	108 [4.252]	8 [0.315]	33.4 [1.315]	127 [5]		20 [0.787]	82.55 [3.25]	-	7.9 [0.311]	11.91 [0.469]	4.6 [10.1]
	3,000/ 5,000		215 [8.465]	124 [4.882]		46.1 [1.815]	165.1 [6.5]		26 [1.024]	95.25 [3.75]				10.7 [23.6]
	10,000		200 [7.874]	111 [4.370]	4 [0.157]	44.1 [1.736]	158.8 [6.252]		23 [0.906]	-	86.23 [3.395]	5.95 [0.234]	12.65 [0.498]	9.5 [20.9]
	15,000		220 [8.661]	114 [4.488]		50.8 [2]	174.6 [6.874]		26 [1.024]					13.2 [29.1]
	20,000		285 [11.22]	132 [5.197]		71.5 [2.815]	230.2 [9.063]		32 [1.26]					31.6 [69.7]
2 9/16"	2,000	59 [2.323]	190 [7.48]	127 [5]	8 [0.315]	36.6 [1.441]	149.2 [5.874]		23 [0.906]	101.6 [4]	-	7.9 [3.11]	11.91 [0.469]	6.7 [14.8]
	3,000/ 5,000		245 [9.656]	137 [5.394]		49.3 [1.941]	190.5 [7.5]		29 [1.142]	107.95 [2.25]				15 [33.1]
	10,000		230 [9.055]	132 [5.197]	4 [0.157]	51.2 [2.016]	184.2 [7.252]		26 [1.024]	-	102.77 [4.046]	6.75 [0.266]	14.07 [0.579]	14.7 [32.4]
	15,000		255 [10.039]	133 [5.236]		57.2 [2.055]	200 [7.874]		29 [1.142]					20.1 [44.3]
	20,000		325 [12.795]	151 [5.945]		79.4 [3.126]	261.9 [10.311]		35 [1.378]					46.3 [102]
3 1/8"	2,000	89 [3.504]	210 [8.268]	146 [5.748]	7.9 [0.311]	39.7 [1.563]	168.3 [6.626]		23 [0.906]	123.83 [4.875]	-	7.9 [0.311]	11.91 [0.469]	9.2 [20.3]
	3,000		240 [9.449]	156 [6.142]	8 [0.315]	46.1 [1.815]	190.5 [7.5]		26 [1.024]					13.9 [30.6]
	5,000		265 [10.433]	168 [6.614]	7.9 [0.311]	55.6 [2.189]	203.2 [8]		32 [1.26]	136.53 [5.375]				20.2 [44.5]

可按要求提供的其他尺寸和标称压力

法兰连接符合JIS B 2220标准，RF



1387979.04

DN	PN	尺寸mm [in]							x	重量 kg [lbs]			
		Mb	D	b	d ₂	k	f	d ₄					
25A	5K	32 [1.26]	95 [3.74]	10 [0.394]	12 [0.472]	75 [2.953]	1 [0.039]	59 [2.323]	4	0.7 [1.5]			
	10K		125 [4.921]	14 [0.551]	19 [0.748]	90 [3.543]		67 [2.638]		1.4 [3.1]			
	16K		130 [5.118]	20 [0.787]	22 [0.866]	95 [3.740]		70 [2.756]		2.1 [4.6]			
	20K										16 [0.63]	2.3 [5.1]	
	30K										2.3 [5.1]		
	40K	25 [0.984]	140 [5.512]	27 [1.063]	23 [0.906]	100 [3.967]	3.1 [6.9]						
	63K	140 [5.512]	27 [1.063]	23 [0.906]	100 [3.967]	3.1 [6.9]							
50A	5K	59 [2.323]	130 [5.118]	14 [0.551]	15 [0.591]	105 [4.134]	2 [0.079]	85 [3.346]	8	1.5 [3.3]			
	10K		155 [6.102]	16 [0.63]	19 [0.748]	120 [4.724]		96 [3.78]		2.3 [5.1]			
	16K		165 [6.496]	22 [0.866]	26 [1.024]	130 [5.118]		105 [4.134]		3.4 [7.5]			
	20K										18 [0.709]	4.0 [8.8]	
	30K										4.0 [8.8]		
	40K		185 [7.83]	34 [1.339]	23 [0.906]	145 [5.709]		6.4 [14.1]					
	63K		185 [7.83]	34 [1.339]	23 [0.906]	145 [5.709]		6.4 [14.1]					
80A	5K	89 [3.504]	180 [7.087]	14 [0.551]	19 [0.748]	165 [6.496]	121 [4.764]	4	2.7 [6]				
	10K		185 [7.83]	18 [0.709]	150 [5.905]		126 [4.961]		8	3.5 [7.7]			
	16K		200 [7.874]	20 [0.787]	23 [0.906]		160 [6.299]			132 [5.197]	4.5 [9.9]		
	20K		210 [8.268]	28 [1.102]	32 [1.26]		170 [6.693]			140 [5.512]	7 [15.4]		
	30K											22 [0.866]	8 [17.6]
	40K											8 [17.6]	
	63K		230 [9.055]	40 [1.575]	25 [0.984]		185 [7.83]			11.9 [26.2]			
100A	5K	200 [7.874]	200 [7.874]	16 [0.63]	19 [0.748]	165 [6.496]	141 [5.551]	8		3.7 [8.2]			
	10K		210 [8.268]	18 [0.709]	175 [6.89]	151 [5.945]	4.6 [10.1]						
	16K		225 [8.858]	22 [0.866]	23 [0.906]	185 [7.83]	160 [6.299]		6.4 [14.1]				
	20K		240 [9.449]	32 [1.26]	25 [0.984]	195 [7.677]	165 [6.496]		12.8 [28.2]				
	30K									24 [0.945]	6.9 [15.2]		
	40K									6.9 [15.2]			
	63K		250 [9.852]	36 [1.417]	205 [8.071]	220 [8.661]	18.2 [40.1]						
63K	270 [10.63]	44 [1.732]	27 [1.063]	220 [8.661]	18.2 [40.1]								

可按要求提供的其他尺寸和标称压力

订货说明

隔膜密封:

隔膜密封型号 / 过程连接 (标准、法兰尺寸、标称压力和密封面) / 材料 (上半部分、密封面和隔膜) / 接液部件清洁度 / 接液部件产地 / 符合NACE标准的设计 / 证书 / 冲洗环

隔膜密封:

隔膜密封型号 / 压力测量设备型号 (以数据资料为准) / 装配 (通过冷却元件或毛细管直接装配) / 材料 (上半部分、密封面和隔膜) / 最低和最高过程温度 / 最低和最高环境温度 / 真空服务 / 系统填充液 / 证书 / 高度差 / 接液部件清洁度 / 接液部件产地 / 符合NACE标准的设计 / 用于安装到0区的隔膜密封 / 安装支架 / 过程连接 (标准、法兰尺寸、标称压力和密封面) / 冲洗环

© 02/2004 WIKA Alexander Wiegand SE & Co. KG, 版权所有
本文中列出的规格仅代表本文档出版时产品的工程状态。
我们保留修改产品规格和材料的权利。



威卡自动化仪表 (苏州) 有限公司
威卡国际贸易 (上海) 有限公司
电话: (+86) 400 9289600
传真: (+86) 512 68780300
邮箱: 400@wikachina.com
www.wika.cn